

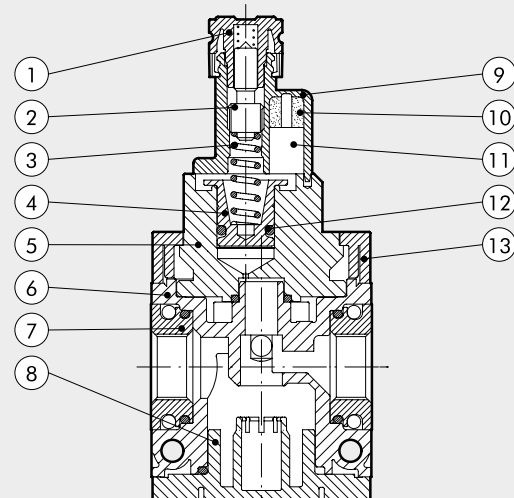
Syntesi® pressure switches feature a high degree of miniaturisation and a modern attractive design. As they are extremely modular, the Syntesi® series can be installed facing up or down. They come ready assembled with a 78.8 inch cable or an M8 connector with a 11.8 inch cable. The contact is the switching type, which means it can be normally open or normally closed. It can be regulated via a knurled push-lock handle. On the front and back there is a port (1/8" BSPP for size 1 and 1/4" BSPP size 2) that can be used with pressure gauges or as an additional air intake.



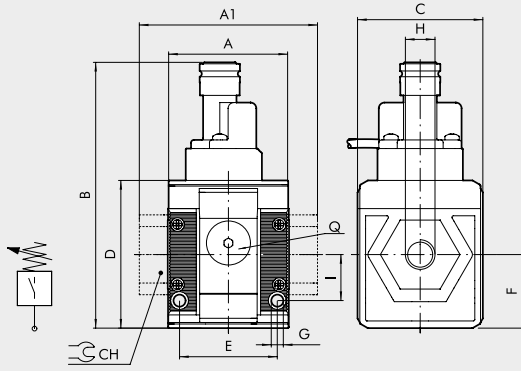
TECHNICAL DATA	SY1 PRESSURE SWITCHES			SY2 PRESSURE SWITCHES			
	1/8" NPT	1/4" NPT	3/8" NPT	3/8" NPT	1/2" NPT	3/4" NPT	1" NPT
Adjustable pressure interval	From 7 to 145			From 7 to 145			
Hysteresis (not adjustable)	From 5.8 to 11.6 (See diagram)						
Maximum pressure	15 bar			13 bar			
	1.5 MPa			1.3 MPa			
	217 psi			188 psi			
Min/max temperature at 10 bar; 1 MPa; 145 psi	From -10 to 50 °C			From -10 to 50 °C			
	From 14 to +122 °F			From 14 to +122 °F			
Maximum current	2 A			2 A			
Maximum voltage	250 V			250 V			
Outside diameter of cable	0.19 in			0.19 in			
Number of wires and cross section	3 x 0.5 mm ²			3 x 0.5 mm ²			
Contacts	Normally-Open (NO) and Normally-Closed (NC)						
Protection	IP65			IP65			
Number of switchings	5 x 10 ⁶			5 x 10 ⁶			
Fluid	Filtered lubricated or unlubricated compressed air. Lubrication, if used, must be continuous						
Mounting position	In any position						
Additional air take-off, for pressure gauges or fittings	1/8" BSPP, front and rear			1/4" BSPP, front and rear			
Additional air take-off flow rate at 6.3 bar (0.63 MPa; 91 psi) ΔP 1 bar (0.1 MPa; 14.5 psi)	500 Nl/min			1500 Nl/min			
	18 scfm			53 scfm			
Wall fixing screws	N. 8-32 unc x 2			N. 10-24 unc x 2			
Weight	0.57	0.55	0.54	0.97	0.92	0.9	0.88

COMPONENTS

- ① Technopolymer adjusting "push lock" handle
- ② OT58 brass adjusting screw
- ③ Steel piston spring
- ④ OT58 brass piston
- ⑤ Aluminium top plug
- ⑥ Technopolymer body
- ⑦ IN/OUT bushing made of OT58 nickel-plated brass or passivated aluminium
- ⑧ Technopolymer bottom plug
- ⑨ Technopolymer pressure switch body
- ⑩ Resin finish for IP65
- ⑪ Electrical contact
- ⑫ O-ring NBR gasket
- ⑬ Technopolymer flange

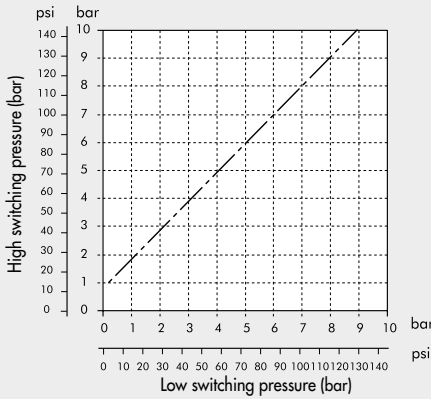


DIMENSIONS



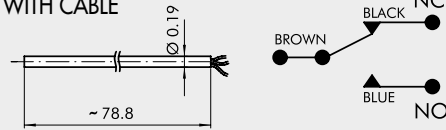
H (threaded port) NPT	SIZE 1			SIZE 2			
	1/8"	1/4"	3/8"	3/8"	1/2"	3/4"	1"
A		1.65				2.38	
A1	-	-	1.73	-	-	3.74	3.74
B		3.67				3.98	
C		1.73				2.4	
CH		-		-	-	1.26	1.41
D		2.03				2.77	
E		1.32				1.87	
F		1.02				1.28	
G		0.165				0.21	
I		0.63				0.89	
Q (no. 2 additional air takes-off)		1/8" BSPP				1/4" BSPP	

HYSTERESIS GRAPH

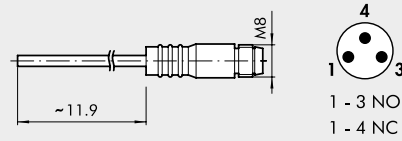


WIRING DIAGRAM

VERSION WITH CABLE



VERSION WITH M8 CONNECTOR



KEY TO CODES

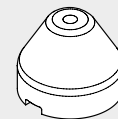
5U	1	1	5	10	1
SYNTESI	SIZE	THREADED INPUT CONNECTION	ELEMENT	TYPE	THREADED OUTPUT CONNECTION
5U Syntesi NPT	1 Size 1	0 Without bushing 1 1/8" NPT port 2 1/4" NPT port 3 3/8" NPT port	5 Pressure switches	10 78.8 inch cable 20 11.8 inch cable with M8 connector	0 Without bushing 1 1/8" NPT port 2 1/4" NPT port 3 3/8" NPT port
	2 Size 2	3 3/8" NPT port 4 1/2" NPT port 5 3/4" NPT port 6 1" NPT port			0 Without bushing 3 3/8" NPT port 4 1/2" NPT port 5 3/4" NPT port 6 1" NPT port

PURCHASE ORDER CODES HAVING A MORE FREQUENT USE

N.B. Besides the below mentioned codes, you can order elements composed at your will according to the key to codes.

Code	Descrizione	Code	Description
Syntesi® SY1 PRESSURE SWITCHES		Syntesi® SY2 PRESSURE SWITCHES	
5U10S100	Pressure switch 78.8 inch cable SY1 NPT without bushings	5U20S100	Pressure switch 78.8 inch cable SY2 NPT without bushings
5U11S101	Pressure switch 78.8 inch cable SY1 1/8 NPT	5U23S103	Pressure switch 78.8 inch cable SY2 3/8 NPT
5U12S102	Pressure switch 78.8 inch cable SY1 1/4 NPT	5U24S104	Pressure switch 78.8 inch cable SY2 1/2 NPT
5U13S103	Pressure switch 78.8 inch cable SY1 3/8 NPT	5U25S105	Pressure switch 78.8 inch cable SY2 3/4 NPT
		5U26S106	Pressure switch 78.8 inch cable SY2 1 NPT
5U10S200	Pressure switch M8 connector SY1 NPT without bushings	5U20S200	Pressure switch M8 connector SY2 NPT without bushings
5U11S201	Pressure switch M8 connector SY1 1/8 NPT	5U23S203	Pressure switch M8 connector SY2 3/8 NPT
5U12S202	Pressure switch M8 connector SY1 1/4 NPT	5U24S204	Pressure switch M8 connector SY2 1/2 NPT
5U13S203	Pressure switch M8 connector SY1 3/8 NPT	5U25S205	Pressure switch M8 connector SY2 3/4 NPT
		5U26S206	Pressure switch M8 connector SY2 1 NPT

ACCESSOIRES: SECURITY KNOB



Code	Description
9200703	Security knob

NOTE: Pull outwards to remove the knob from the pressure switch on the unit. Insert the security knob and regulate the pressure switch. Then press the handle firmly to lock it in position. If the pressure switch needs to be reset, remove the security knob by forcing it laterally with a screwdriver.