

# Air Pilot Valve & Manifold List Prices Specifications

## Air Pilot Valve List Price

	Part No.	Price	Port Size (NPT)	# Ways/Port/Position/Pilot	Cv		Part No.	Price	Port Size (NPT)	# Ways/Port/Position/Pilot	Cv							
	3A110-1/8	\$25.68	1/8	3/3/2/1	0.67		4A130C-1/8	\$66.91	1/8	4/5/3/2	Closed Center	0.5						
	3A210-1/4	\$25.68	1/4, 1/8 (Exh)		0.89		4A230C-1/4	\$84.94	1/4, 1/8 (Exh)				0.67					
	3A310-3/8	\$31.10	3/8, 1/4 (Exh)		1.68			4A330C-3/8	\$98.02		3/8, 1/4 (Exh)	1						
	3A410-1/2	\$51.39	1/2		2.79		4A430C-1/2		\$116.55		1/2	1.68						
	3A120-1/8	\$32.45	1/8	3/3/2/2	0.67				4A130P-1/8	\$66.91	1/8	4/5/3/2	Pressure Center	0.5				
	3A220-1/4	\$33.12	1/4, 1/8 (Exh)		0.89		4A230P-1/4		\$84.94	1/4, 1/8 (Exh)	0.67							
	3A320-3/8	\$39.21	3/8, 1/4 (Exh)		1.68				4A330P-3/8	\$98.02	3/8, 1/4 (Exh)		1					
	3A420-1/2	\$66.91	1/2		2.79		4A430P-1/2			\$116.55	1/2		1.68					
	4A110-1/8	\$25.68	1/8	4/5/2/1	0.67					4A130E-1/8	\$66.91	1/8	4/5/3/2	Exhaust Center	0.5			
	4A210-1/4	\$25.68	1/4, 1/8 (Exh)		0.89		4A230E-1/4			\$84.94	1/4, 1/8 (Exh)	0.67						
	4A310-3/8	\$31.10	3/8, 1/4 (Exh)		1.68					4A330E-3/8	\$98.02	3/8, 1/4 (Exh)		1				
	4A410-1/2	\$51.39	1/2		2.79		4A430E-1/2				\$116.55	1/2		1.68				
	4A120-1/8	\$32.45	1/8	4/5/2/2	0.67					3A310B-1/4	\$38.89	1/4	3/3/2/1	1.68				
	4A220-1/4	\$33.12	1/4, 1/8 (Exh)		0.89		3A320B-1/4			\$47.01	1/4	3/3/2/2			1.68			
	4A320-3/8	\$39.21	3/8, 1/4 (Exh)		1.68					4A310B-1/4	\$41.51					1/4	4/5/2/1	1.68
	4A420-1/2	\$66.91	1/2		2.79						4A320B-1/4					\$49.61		

## Integrated Aluminum Base Mounted Manifolds\*

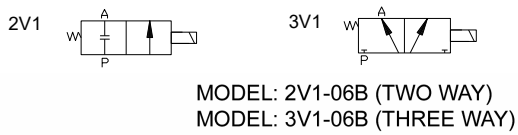
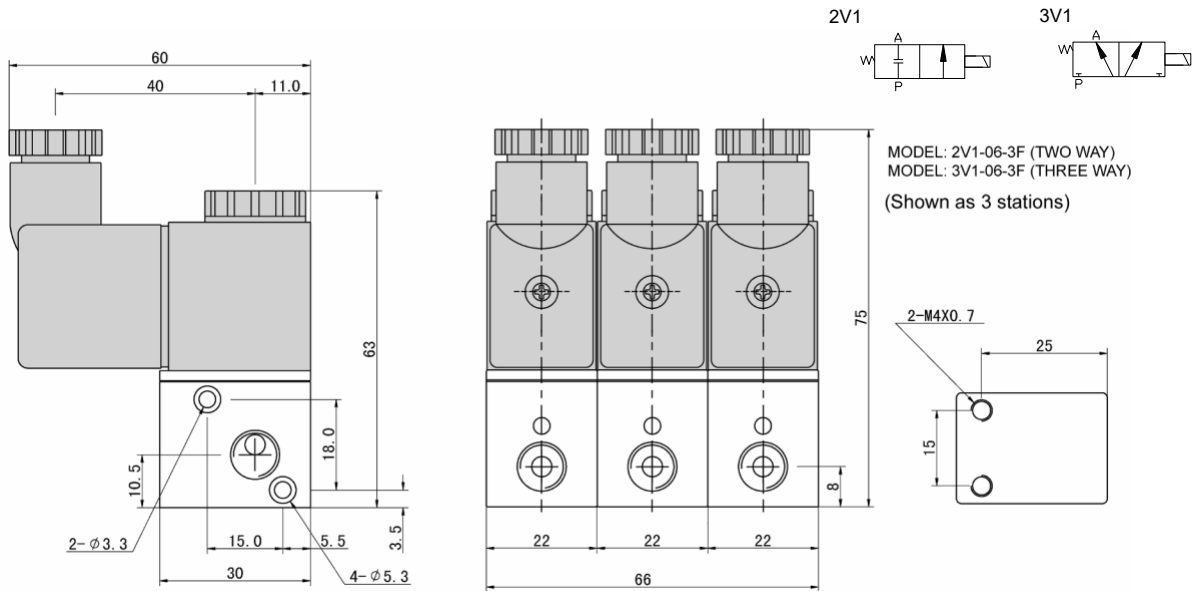
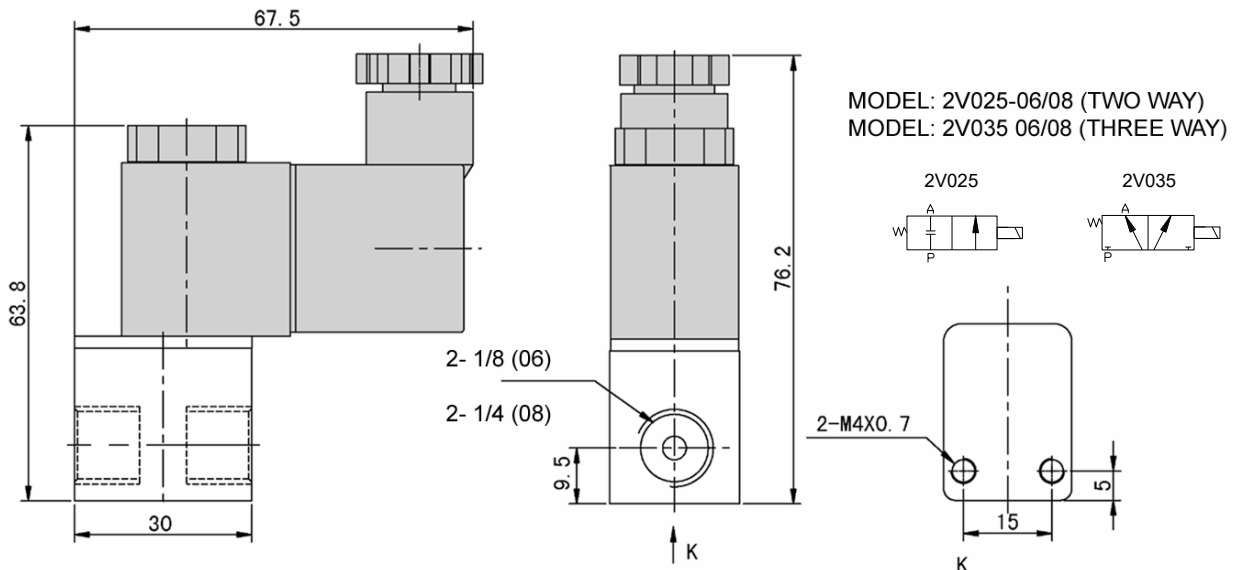
To order, please specify the part number and the number of stations (order valve separately).

Part No.	No. of Stations	Price	Description	Part No.	No. of Stations	Price	Description
3V-100M-2	2	\$15.03	Integrated Base for Mounting 3V100 or 3A100 series Solenoid Valves	4V-100M-2	2	\$15.03	Integrated Base for Mounting 4V100 or 4A100 series Solenoid Valves
3V-100M-4	4	\$30.05		4V-100M-4	4	\$30.05	
3V-100M-6	6	\$45.06		4V-100M-6	6	\$45.06	
3V-100M-8	8	\$60.07		4V-100M-8	8	\$60.07	
3V-100M-16	16	\$120.16		4V-100M-16	16	\$120.16	
3V-100M-B	blank plate	\$6.60		4V-100M-B	blank plate	\$6.60	
3V-100M-G	gasket	\$3.01		4V-100M-G	gasket	\$3.01	
3V-200M-2	2	\$15.03		Integrated Base for Mounting 3V200 or 3A200 series Solenoid Valves	4V-200M-2	2	
3V-200M-4	4	\$30.05	4V-200M-4		4	\$30.05	
3V-200M-6	6	\$45.06	4V-200M-6		6	\$45.06	
3V-200M-8	8	\$60.07	4V-200M-8		8	\$60.07	
3V-200M-16	16	\$120.16	4V-200M-16		16	\$120.16	
3V-200M-B	blank plate	\$6.60	4V-200M-B		blank plate	\$6.60	
3V-200M-G	gasket	\$3.01	4V-200M-G		gasket	\$3.01	
3V-300M-2	2	\$22.54	Integrated Base for Mounting 3V300 or 3A300 series Solenoid Valves		4V-300M-2	2	\$22.54
3V-300M-4	4	\$45.06		4V-300M-4	4	\$45.06	
3V-300M-6	6	\$67.60		4V-300M-6	6	\$67.60	
3V-300M-8	8	\$90.12		4V-300M-8	8	\$90.12	
3V-300M-16	16	\$180.23		4V-300M-16	16	\$180.23	
3V-300M-B	blank plate	\$6.60		4V-300M-B	blank plate	\$6.60	
3V-300M-G	gasket	\$3.01		4V-300M-G	gasket	\$3.01	
3V-400M-2	2	\$37.54		Integrated Base for Mounting 3V400 or 3A400 series Solenoid Valves	4V-400M-2	2	\$37.54
3V-400M-4	4	\$75.11	4V-400M-4		4	\$75.11	
3V-400M-6	6	\$112.65	4V-400M-6		6	\$112.65	
3V-400M-8	8	\$150.21	4V-400M-8		8	\$150.21	
3V-400M-16	16	\$300.40	4V-400M-16		16	\$300.40	
3V-400M-B	blank plate	\$6.60	4V-400M-B		blank plate	\$6.60	
3V-400M-G	gasket	\$3.01	4V-400M-G		gasket	\$3.01	

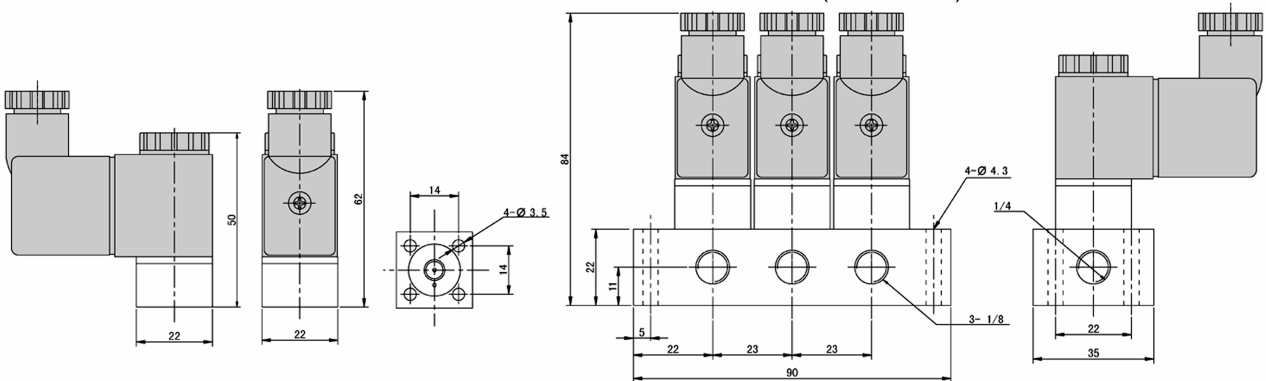
\* Includes mounting hardware and seals

## Specifications

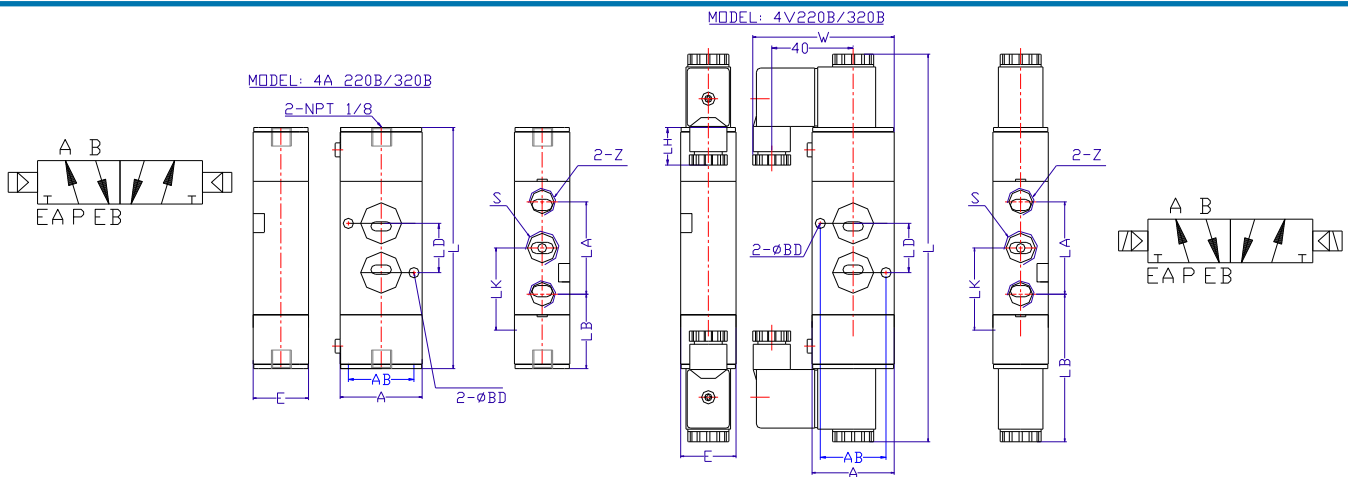
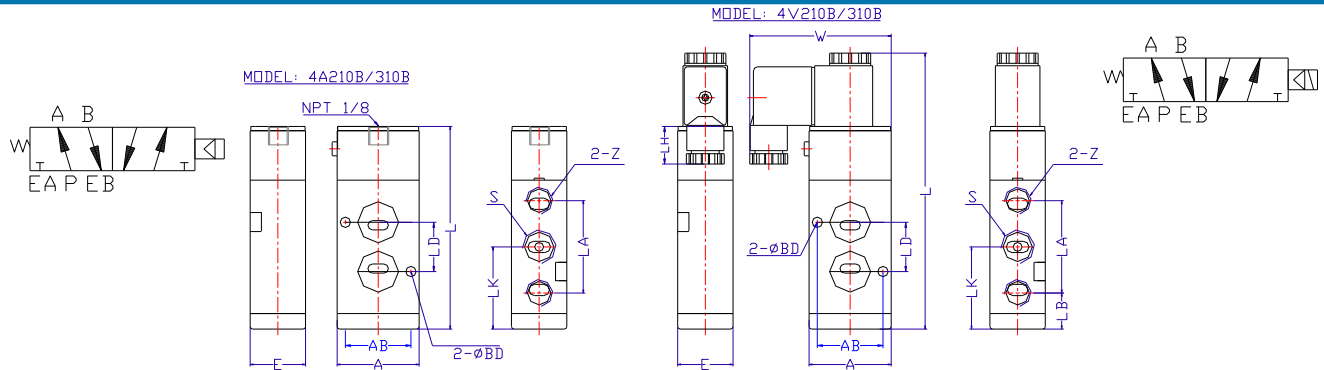
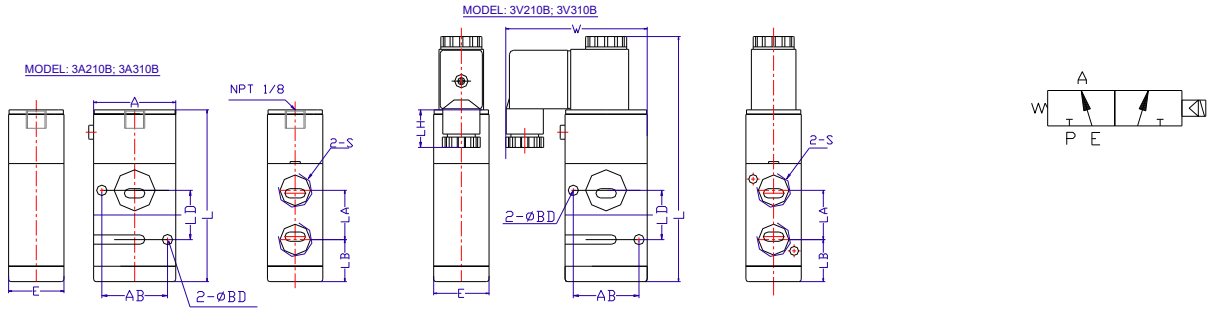
Valve Type	3A & 4A 100-400 Series Valves	3V & 4V 100-400 Series Valves	2V025-035, 2P025 Series Valves	2V1, 3V1 Series Valves
Port & Mounting	Body Ported, Manifold Mounted	Body Ported, Manifold Mounted	Body Ported, Stacking or Manifold Mounted	Body Ported, Stacking or Manifold Mounted
Action & Motion	Air Pilot, Spool Design	Internal Pilot, Spool Design	Direct Acting	Direct Acting
Operating Pressure	0 to 115 PSI	21 to 115 PSI	Vacuum to 115 PSI	Vacuum to 115 PSI
Coil Insulation & Protection Class	N/A	F Class, IP65 (CE Certification)	F Class, IP65 (CE Certification)	F Class, IP65 (CE Certification)
Coil Duty Cycle	100% ED	100% ED	100% ED	100% ED
Manual Override	N/A	Non-Locking: 100 series, Locking: 200 to 400 series	Non-Locking	Non-Locking
Electrical Connection	N/A	D = DIN (with LED indicator, conduit terminal), G = Grommet (12" - 18" Lead Wire)		
Working Medium	40 micron filtered air or inert gas	40 micron filtered air or inert gas	40 micron filtered air, inert gas & liquid, non-corrosive liquid	
Maximum Pressure	180 PSI @ 75 Deg. F			
Operating Temperature	14 to 140 Deg. F (-10 to 60 Deg. C)			
Body Material	Aluminum (Engineered Plastic for 2P Series)			
Seal Material	NBR (Buna N)			
Lubrication	Not Required			
Service	Air			



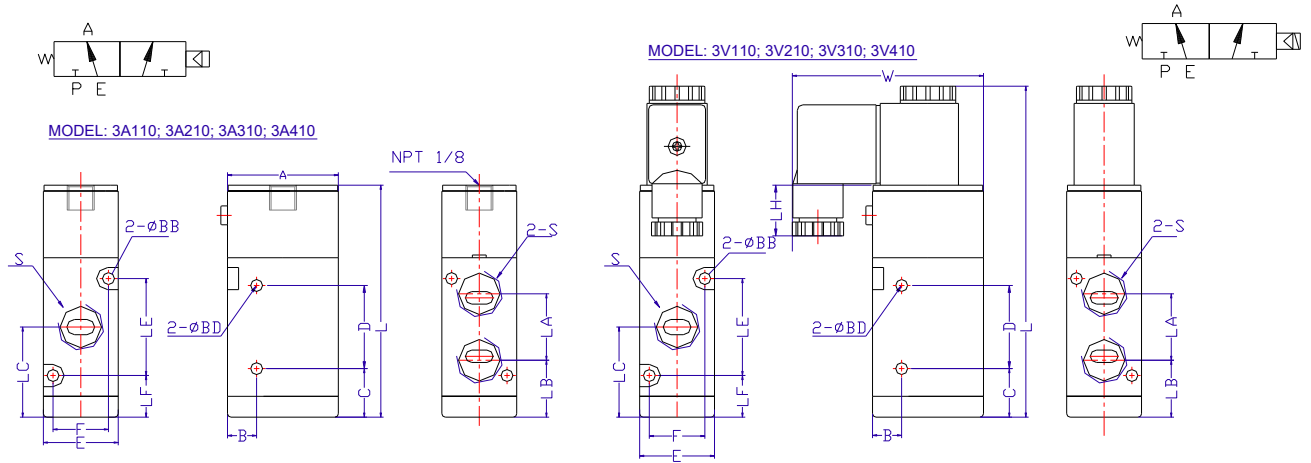
MODEL: 2V1-06B-3F (TWO WAY)  
MODEL: 3V1-06B-3F (THREE WAY) Shown as 3 stations



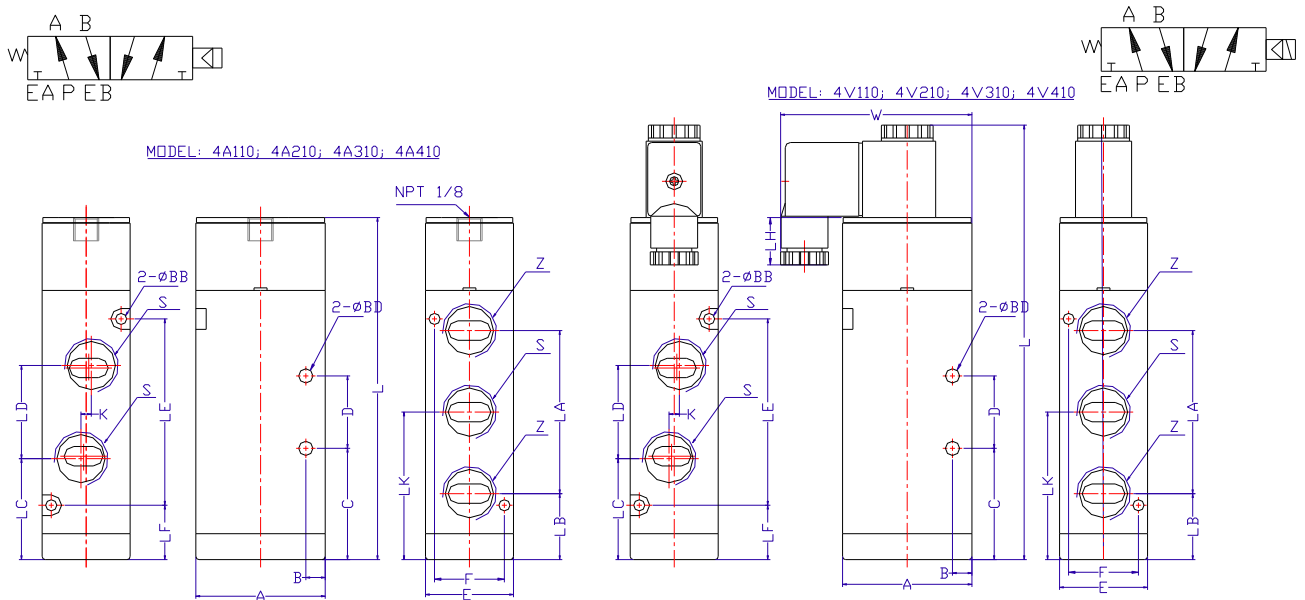
# Air Solenoid & Air Pilot Valve Dimensions



Model	A	E	L	S	W	Z	AB	BD	LA	LB	LD	LH	LK
3A210-1/4B	35	22	77.7	1/4	66.5		29	4.3	18	21			
3A310-1/4B	40	27	80.5	3/8	69		32	5.5	24	20.5			
3A310-3/8B	40	27	80.5	3/8	69		32	5.5	24	20.5			
3V210-1/4B	35	22	111.5	1/4	66.5		29	4.3	18	21		18	
3V310-1/4B	40	27	119.4	1/4	69		32	5.5	24	20.5		18	
3V310-3/8B	40	27	119.4	3/8	69		32	5.5	24	20.5		18	
4A210-1/4B	35	22	77.7	1/4	66.5	1/8	29	4.3	36	13.5	23		31.7
4A310-1/4B	40	27	95.5	1/4	69	1/4	32	5.5	45	17.5	24		40
4A310-3/8B	40	27	95.5	3/8	69	1/4	32	5.5	45	17.5	24		40
4V210-1/4B	35	22	116.5	1/4	66.5	1/8	29	4.3	36	13.5	23	18	32.5
4V310-1/4B	40	27	134.5	1/4	69	1/4	32	5.5	45	17.5	24	18	40
4V310-3/8B	40	27	134.5	3/8	69	1/4	32	5.5	45	17.5	24	18	40
4A220-1/4B	35	22	92	1/4	66.5	1/8	29	4.3	36	28	23		46
4A320-1/4B	40	27	111	1/4	69	1/4	32	5.5	45	33	24		55.5
4A320-3/8B	40	27	111	3/8	69	1/4	32	5.5	45	33	24		55.5
4V220-1/4B	35	22	169.8	1/4	66.5	1/8	29	4.3	36	66.9	23	18	84.9
4V320-1/4B	40	27	188.8	1/4	69	1/4	32	5.5	45	71.9	24	18	94.4
4V320-3/8B	40	27	188.8	3/8	69	1/4	32	5.5	45	71.9	24	18	94.4

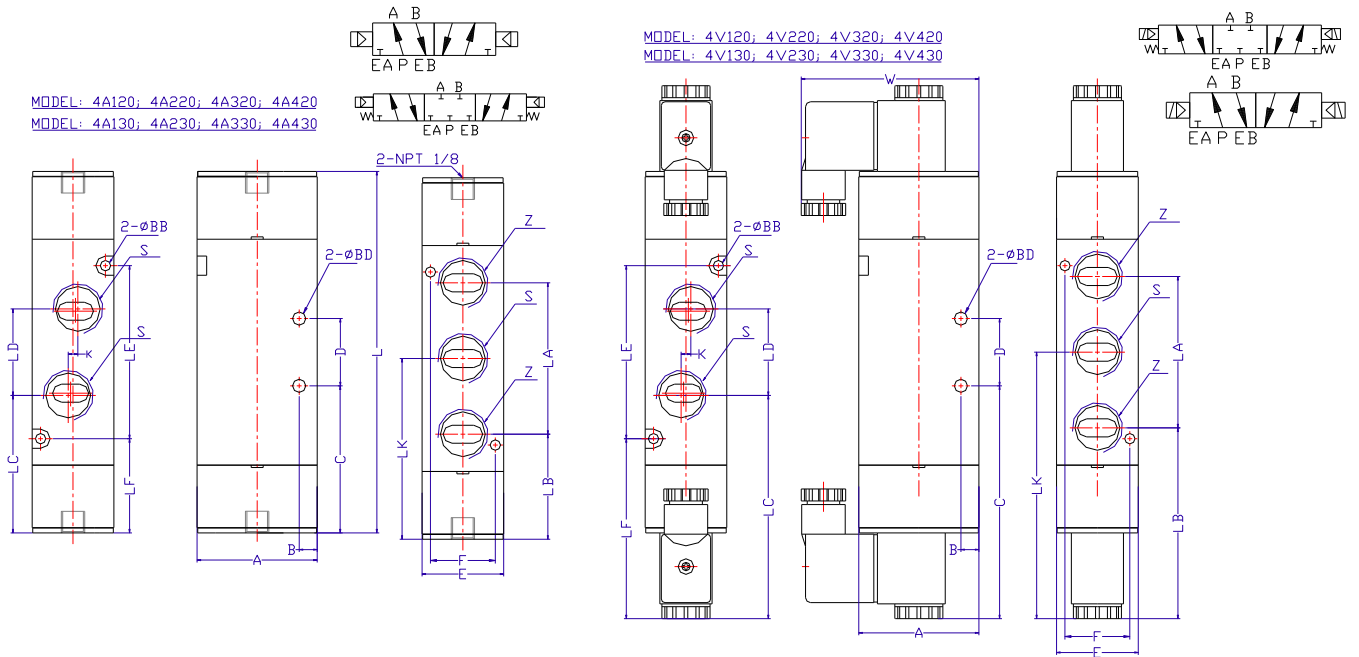


Model No.	A	B	D	E	F	L	S	W	BB	BD	LA	LB	LC	LE	LF	LH
3A110-1/8	27	7.7	21	18.0	13	56.5	1/8	53.5	3.3	3.3	16	14.0	23	19	12.5	
3A210-1/4	35	8.0	25	22.0	17	77.7	1/4	66.5	3.3	4.3	18	21.0	31	33	12.5	
3A310-3/8	40	10.5	30	27.0	20	80.5	3/8	69	4.3	4.3	24	20.5	32.5	35	15	
3A410-1/2	50	13.5	51	34.0	27	96.5	1/2	73.9	4.3	5.5	36	25.5	41.5	44	15.5	
3V110-1/8	27	7.7	21	18.0	13	85.8	1/8	53.5	3.3	3.3	16	14.0	23	19	12.5	10
3V210-1/4	35	8.0	25	22.0	17	111.5	1/4	66.5	3.3	4.3	18	21.0	31	33	12.5	18
3V310-3/8	40	10.5	30	27.0	20	119.4	3/8	69	4.3	4.3	24	20.5	32.5	35	15	18
3V410-1/2	50	13.5	51	34.0	27	137.0	1/2	73.5	4.3	5.5	36	25.5	41.5	44	15.5	18

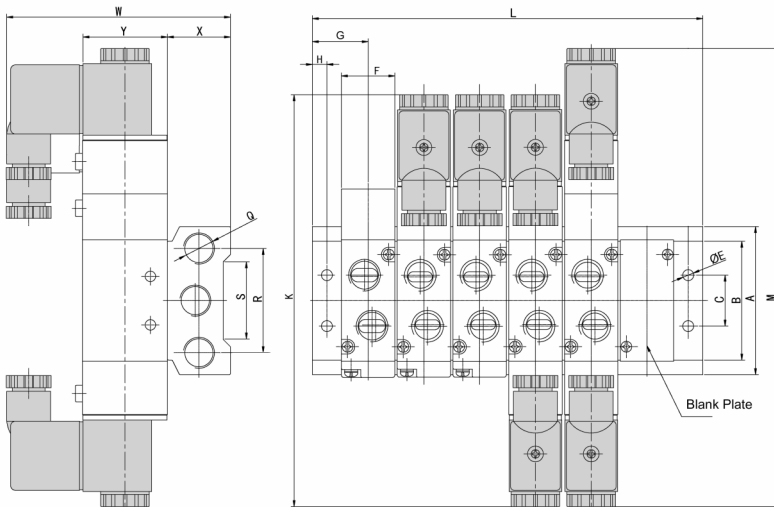


Model No.	A	B	C	D	E	F	K	L	S	W	Z	BB	BD	LA	LB	LC	LD	LE	LF	LH	LK
4A110-1/8	27	4.0	21.0	14	18	13	3	68.7	1/8	53.5	1/8	3.3	3.3	28	14.2	20.2	16	30	13.0		28.2
4A210-1/4	35	7.0	21.5	20	22	17	3	77.7	1/4	66.5	1/8	3.3	4.3	36	13.5	21.0	21	38	12.5		31.7
4A310-3/8	40	6.5	28.0	24	27	20	4	95.5	3/8	69	1/4	4.3	4.3	45	17.5	28.0	24	50	15.0		40.0
4A410-1/2	50	7.5	43.0	28	34	27	4	128	1/2	73.5	1/2	4.3	5.5	63	25.5	39.0	36	72	21.0		57.0
4V110-1/8	27	4.0	21.0	14	18	13	3	98	1/8	53.5	1/8	3.3	3.3	28	14.0	20.0	16	30	13.0	10	28.0
4V210-1/4	35	7.0	21.5	20	22	17	3	116.5	1/4	66.5	1/8	3.3	4.3	36	13.5	21.0	21	38	12.5	18	32.5
4V310-3/8	40	6.5	28.0	24	27	20	4	134.5	3/8	69	1/4	4.3	4.3	45	17.5	28.0	24	50	15.0	18	40.0
4V410-1/2	50	7.5	43.0	28	34	27	4	167.9	1/2	73.5	1/2	4.3	5.5	63	25.5	39.0	36	72	21.0	18	57.0

# Air Solenoid & Air Pilot Valve Dimensions Manifold Dimensions



Model No.	A	B	C	D	E	F	K	L	S	W	Z	BB	BD	LA	LB	LC	LD	LE	LF	LH	LK
4A120-1/8	27	4.0	33.5	14	18	13	3	81	1/8	53.5	1/8	3.3	3.3	28	26.5	32.5	16	30	25.5		40.5
4A220-1/4	35	7.0	36.0	20	22	17	3	92	1/4	66.5	1/8	3.3	4.3	36	28.0	37.0	21	38	27.0		46.0
4A320-3/8	40	6.5	43.5	24	27	20	4	111	3/8	69	1/4	4.3	4.3	45	33.0	43.5	24	50	30.5		55.5
4A420-1/2	50	7.5	51.0	28	34	27	4	128	1/2	73.5	1/2	4.3	5.5	63	39.5	71.0	36	72	35.0		71.0
4V120-1/8	27	4.0	62.8	14	18	13	3	139.5	1/8	53.5	1/8	3.3	3.3	28	56.0	52.0	16	30	54.8	10	69.8
4V220-1/4	35	7.0	74.9	20	22	17	3	169.8	1/4	66.5	1/8	3.3	4.3	36	66.9	74.4	21	38	65.9	18	84.9
4V320-3/8	40	6.5	82.4	24	27	20	4	188.8	3/8	69	1/4	4.3	4.3	45	71.9	82.4	24	50	69.4	18	94.4
4V420-1/2	50	7.5	96.9	28	34	27	4	217.5	1/2	73.5	1/2	4.3	5.5	63	79.4	92.9	36	72	74.9	18	110.9
4A130-1/8	27	4.0	33.5	14	18	13	3	96	1/8	53.5	1/8	3.3	3.3	28	26.5	32.5	16	30	25.5		40.5
4A230-1/4	35	7.0	36.0	20	22	17	3	110	1/4	66.5	1/8	3.3	4.3	36	28.0	37.0	21	38	27.0		46.0
4A330-3/8	40	6.5	43.5	24	27	20	4	130	3/8	69	1/4	4.3	4.3	45	33.0	43.5	24	50	30.5		55.5
4A430-1/2	50	7.5	51.0	28	34	27	4	165	1/2	73.5	1/2	4.3	5.5	63	39.5	71.0	36	72	35.0		71.0
4V130-1/8	27	4.0	62.8	14	18	13	3	154.6	1/8	53.5	1/8	3.3	3.3	28	56.0	52.0	16	30	54.8	10	69.8
4V230-1/4	35	7.0	74.9	20	22	17	3	188.8	1/4	66.5	1/8	3.3	4.3	36	66.9	74.4	21	38	65.9	18	84.9
4V330-3/8	40	6.5	82.4	24	27	20	4	207.8	3/8	69	1/4	4.3	4.3	45	71.9	82.4	24	50	69.4	18	94.4
4V430-1/2	50	7.5	96.9	28	34	27	4	242.8	1/2	73.5	1/2	4.3	5.5	63	79.4	92.9	36	72	74.9	18	110.9



## 4V100-400M Manifold Dimensions

Model No.	A	B	C	E	F	G	H	K	L
100M	58	44	20	4.2	18.3	19	5	140	(N-1)*19+38
200M	61	51	21	4.3	22.4	23	6	170	(N-1)*23+46
300M	75	65	26	4.5	27.3	27	6	189	(N-1)*28+54
400M	104	95	32	5.5	34.3	31.5	7	222	(N-1)*35+63

Model No.	M	Q	R	S	T	W	X	Y
100M	155	1/4	40	30	M3x.5	78.5	25	27
200M	189	1/4	43	32	M3x.5	92.5	26	35
300M	208	3/8	53	48	M4x.7	99	30	40
400M	243	1/2	68	67	M4x.7	112	38	50