

HTMTM
SENSORS



- ULTRASONIC SENSORS TO DETECT CLEAR OR SHINY OBJECTS, WOOD, PLASTICS AND IRREGULARLY SHAPED TARGETS
- MODELS WITH DIGITAL AND ANALOG OUTPUT AND MODELS WITH I/O LINK
- TEACH-IN PUSH BUTTON OR REMOTE INPUT FOR DISTANCE RANGE SETTING
- IDEAL FOR PACKAGING AND BOTTLING MACHINES AND AUTOMOTIVE ASSEMBLY LINES
- COMPLETE PROTECTION AGAINST ELECTRICAL DAMAGES
- IP67 (EN 60529) RATED

M18 ULTRASONIC SENSORS SPECIFICATIONS



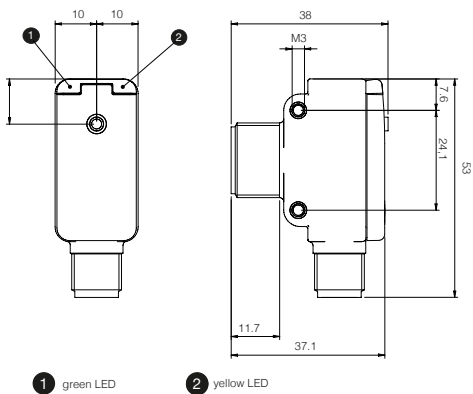
SENSING RANGE	40...300 mm ⁽¹⁾		60...800 mm ⁽²⁾		80...1,200 mm ⁽²⁾	
HOUSING TYPE	M18 Right Angle					
SWITCHING FREQUENCY	8 Hz		5 Hz		3 Hz	
HYSTERESIS	1%					
REPEATIBILITY	1%					
LINEARITY ERROR	< 1 %					
TEMPERATURE RANGE	- 20 °C...+70 °C					
TEMPERATURE DRIFT OF SR	± 5%					
OPERATING VOLTAGE	10...30 V DC					
MAX. RIPPLE CONTENT	5%					
LEAKAGE CURRENT	≤ 10 µA @ 30 Vcc					
OUTPUT VOLTAGE DROP	≤ 2.2 V (@ I _L = 100 mA)					
NO-LOAD SUPPLY CURRENT	≤ 35 mA					
OUTPUT CURRENT (DIGITAL OUTPUT)	100 mA					
RESPONSE TIME ANALOGUE OUTPUT	≤ 400 ms					
POWER ON DELAY (DIGITAL OUTPUT)	≤ 400 ms					
SHORT-CIRCUIT PROTECTION	(autoreset)					
EMC	Conforming to EMC Directive, according to EN 60947-5-2					
WEIGHT	30 g					
LEDS	Green: Echo - Yellow: Output					
PROTECTION DEGREE	IP67 (EN 60529)					
HOUSING MATERIAL	PBT or PA12					
ACTIVE HEAD MATERIAL	Epoxy Glass Resin					
STORAGE TEMPERATURE	- 30 °C...+ 80 °C					
PART NUMBERS						
Digital PNP and Analog 4-20 mA	M18U-DR0300PC-4Q		M18U-DR0800PC-4Q		M18U-DR1200PC-4Q	
Single PNP (I/O Link)		M18U-DR0300PIO-4Q		M18U-DR0800PIO-4Q		M18U-DR1200PIO-4Q

(1) Metallic target 100 x 100 mm (2) Metallic target 200 x 200

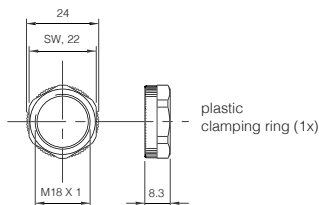
NPN available for Digital and Analog versions. Change 'P' to 'N' in part number.

NOTE: Specifications subject to change without notification.

DIMENSIONS



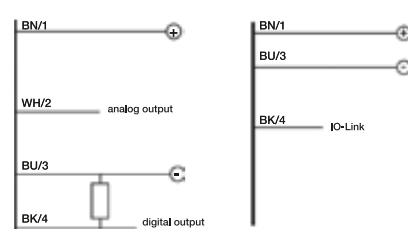
INCLUDED ACCESSORIES



M12 CONNECTOR



PNP NO/NC MODELS AND ANALOG OUTPUT



THE M18U SERIES IS THE BEST CHOICE FOR SENSING APPLICATIONS THAT NEED MORE RANGE THAN A CAPACITIVE SENSOR, AND ARE DIFFICULT TO DETECT WITH A PHOTOELECTRIC SUCH AS CLEAR OR SHINY OBJECTS, WOOD, PLASTICS, AND IRREGULARLY SHAPED TARGETS.