

# Sleek Rod Tubular Linear Actuator



## Standard Features and Benefits

- **Internal limit switches** automatically shut off the unit at the end of stroke
- **Standard stroke lengths** of 3, 6, 9, 12, 18, 24 and 30 inches are available
- **40 lbs of force** at an extension speed of 1.0 inch per second and **150 lbs** of force at 0.5 inches per second
- **IP 54 rated** - dust protected and splash proof
- **Temperature operating range** of -15°F to 150°F (-26°C to 65°C)
- **High grade aluminum housing** resists corrosion
- **Maintenance free**
- **CE and RoHS** certified

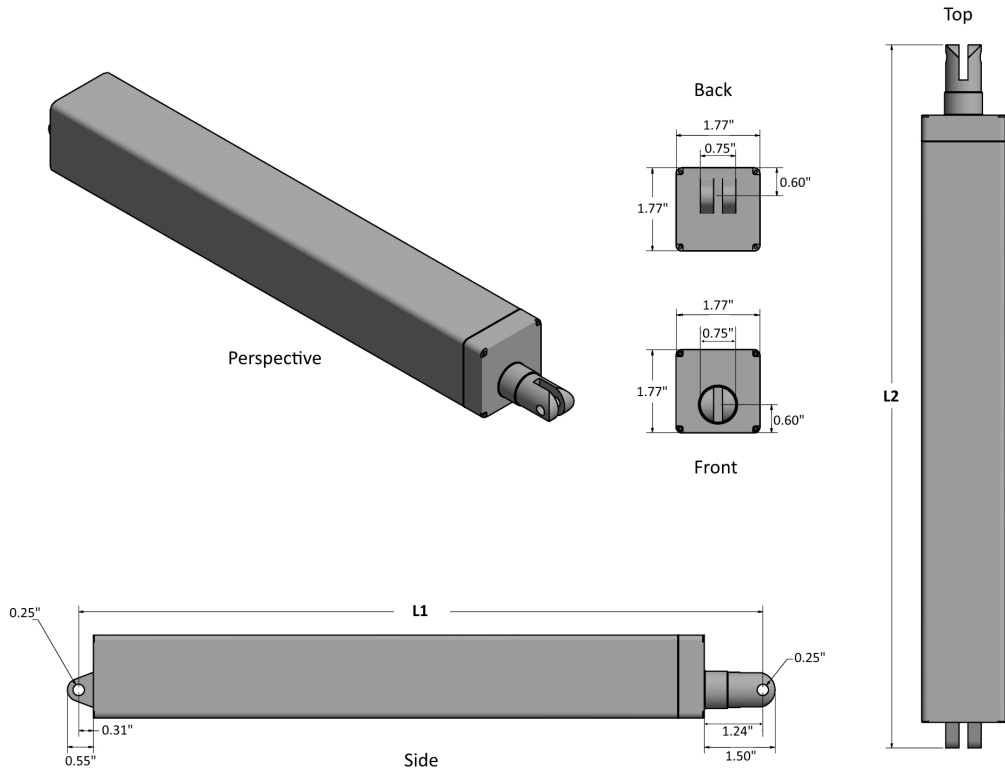
Sleek Rod Tubular Linear Actuators are designed for applications requiring a clean, contemporary appearance. Available with either 40 lbs or 150 lbs of force, they are common in hatch and window applications or any project where the actuator is visible. Stroke lengths from 3 - 30 inches provide flexibility in this easy to install, durable actuator.

## Specifications

Model	FA-04-12-XX	FA-05-12-XX
Dynamic Force	40 lb	150 lbs
Static Force	80 lb	300 lbs
Speed (inches/second)	1.0 inches	0.50 inches
Duty Cycle	25%	
Stroke Length	3, 6, 9, 12, 18, 24 and 30 inches	
IP Rating	54	
Input	12 volt DC	
Max Draw	3 A	
Clevis End	1/4" diameter	
Operational Temperature	-15°F to 150°F (-26°C to 65°C)	
Limit Switch	Built-in (factory preset)	
Safety Certifications	CE, RoHS	
Brackets	MB2	

## Dimensions and Weight

Stroke	Retracted Length	Extended Length	Weight
3 "	11.5 "	14.5 "	2.5 lbs
6 "	14.5 "	20.5 "	2.9 lbs
9 "	17.5 "	26.5 "	3.25 lbs
12 "	20.5 "	32.5 "	3.7 lbs
18 "	26.5 "	44.5 "	4.5 lbs
24 "	32.5 "	56.5 "	5.3 lbs
30 "	38.5 "	68.5 "	6.5 lbs



Stroke Length	3"	6"	9"	12"	18"	24"	30"
L1	11"	14"	17"	20"	26"	32"	38"
L2	11.75"	14.75"	17.75"	20.75"	26.75"	32.75"	38.75"

**FA-04-12-X**  
**FA-05-12-X**

## Performance Graphs

