

# DURAVALVE MODEL V4000 BALL VALVE

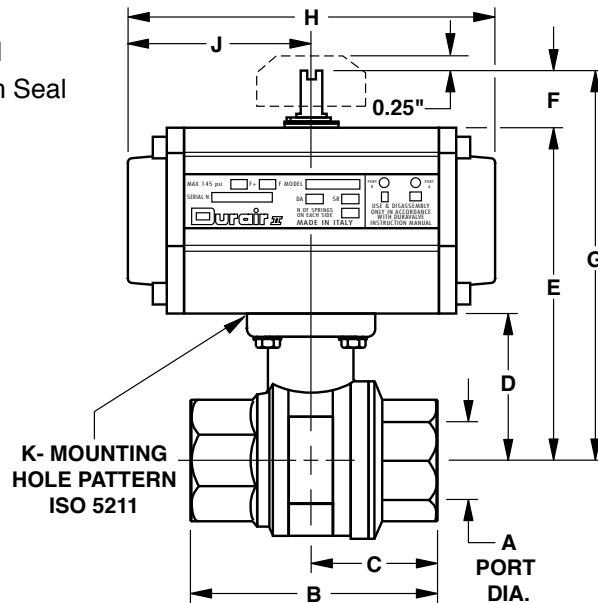
## with DurAir II Pneumatic Actuator

### VALVE FEATURES

- 2-Piece Full Port Stainless Steel
- 1/2" to 3" Sizes
- Maximum Pressure: 1/2" – 1-1/2" Sizes 1000 PSI  
2" Size 800 PSI  
2-1/2" and 3" Sizes 600 PSI
- Temperature Range: -20° F – 400° F
- Blowout Proof Stem
- ISO 5211 Direct Mounting Pad
- Adjustable "Live Loaded" Stem Seal
- NPT Threads: ASME B1.20.1

### ACTUATOR FEATURES

- ISO 5211 Mounting
- Aluminum Body
- Rack & Pinion Double Acting and Spring Return
- Low Friction Bearings and High Cycle Life
- Optional ENP (electroless nickel plated finish)



**NOTE:**  
WITH POSITION  
INDICATOR ADD  
0.25 INCHES TO  
DIMENSION "G"

### DOUBLE ACTING (Dimensions in inches)

Valve Size	Assembly No.	Actuator Model No.	A	B	C	D	E	F	G	H	J	K*
1/2	AS2102	AP032	0.59	2.28	1.14	1.49	3.26	0.81	4.07	3.69	1.84	F03
3/4	AS2103	AP050	0.78	2.56	1.28	1.67	4.30	0.81	5.11	5.44	2.72	F04
1	AS2104	AP050	1.00	3.03	1.52	1.77	4.40	0.81	5.21	5.44	2.72	F04
1-1/4	AS2105	AP063	1.26	3.54	1.77	2.03	5.30	0.81	6.11	6.00	3.00	F05
1-1/2	AS2106	AP063	1.50	3.86	1.93	2.34	5.61	0.81	6.42	6.00	3.00	F07
2	AS2107	AP075	1.97	4.67	2.34	2.70	6.64	0.81	7.45	8.27	4.14	F07
2-1/2	AS2108	AP085	2.52	6.14	3.07	3.80	8.21	0.81	9.02	8.97	4.49	F07
3	AS2109	AP100	3.00	7.32	3.66	4.25	9.17	0.81	9.98	11.04	5.52	F10

### SPRING RETURN (Dimensions in inches)

Valve Size	Assembly No.	Actuator Model No.	A	B	C	D	E	F	G	H	J	K*
1/2	AS2112	AP050	0.59	2.28	1.14	1.49	4.12	0.81	4.93	5.44	2.72	F04
3/4	AS2113	AP050	0.78	2.56	1.28	1.67	4.30	0.81	5.11	5.44	2.72	F04
1	AS2114	AP050	1.00	3.03	1.52	1.77	4.40	0.81	5.11	5.44	2.72	F04
1-1/4	AS2115	AP063	1.26	3.54	1.77	2.03	5.30	0.81	6.11	6.00	3.00	F05
1-1/2	AS2116	AP075	1.50	3.86	1.93	2.34	6.28	0.81	7.09	8.27	4.14	F05
2	AS2117	AP085	1.97	4.67	2.34	2.70	8.21	0.81	9.02	8.97	4.49	F07
2-1/2	AS2118	AP115	2.52	6.14	3.07	3.80	9.48	1.18	10.66	12.20	6.10	F10
3	AS2119	AP125	3.00	7.32	3.66	4.25	10.35	1.18	11.53	14.25	7.13	F10

\* K-ISO 5211

