

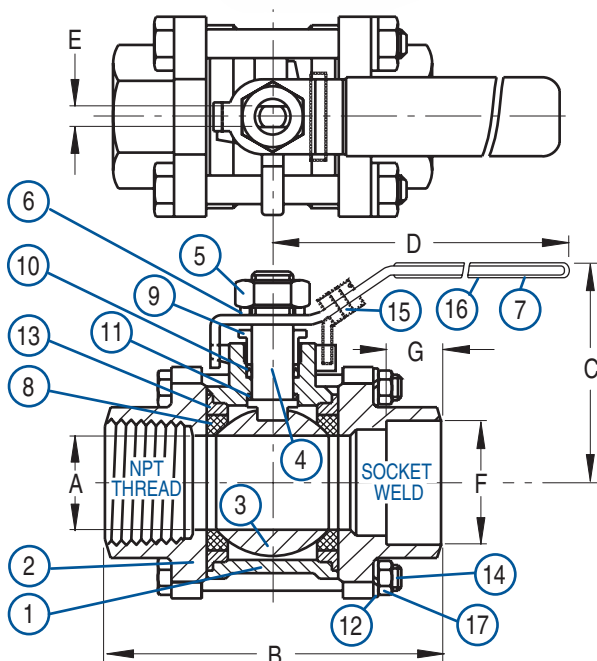
DURAVALVE MODEL D 320A BALL VALVE

3-PIECE FULL PORT STAINLESS STEEL 800/1000 PSI



FEATURES AND SPECIFICATIONS

- 1/4" to 4" Sizes (4" with ISO 5211 Mounting Pad)
- Threaded or Socket-Weld Ends
- 3-Piece Swing Out Design for Easy Maintenance
- Internal Entry Blow-Out Proof Stem
- Adjustable Vee Style Stem Packing
- Pressure Rating: 1/4" – 2" 1000 PSI
2-1/2" – 4" 800 PSI
- Temperature Range: -20° F – 450° F
- Latch-Lock Handle



MATERIALS OF CONSTRUCTION

Item	Description	Material	Qty.
1.	Body	CF8M	1
2.	End Cap	CF8M	2
3.	Ball	316 SS	1
4.	Stem	316 SS	1
5.	Stem Nut	304 SS	1
6.	Stem Washer	304 SS	1
7.	Handle	304 SS	1
8.	Seat	RTFE	2
9.	Gland Nut	304 SS	1
10.	V-Ring Packing	PTFE	*
11.	Stem Seal	PTFE	1
12.	Bolt Washer	304 SS	**
13.	Joint Gasket	PTFE	2
14.	Bolt	304 SS	***
15.	Locking Device	304 SS	1
16.	Handle Sleeve	Vinyl	1
17.	Bolt Nut	304 SS	**

* 1/4" & 3/8" – regular one piece stem packing
1/2" & 3/4" – one set of v-ring packing consists of 2 pcs.
4" – one set of v-ring packing consists of 3 pcs.
** 1/4" to 2" – 4 pcs; 2-1/2" to 3" – 8 pcs; 4" – 12 pcs.
*** 1/4" to 3" – 4 bolts; 4" – 6 bolts

DIMENSIONS IN INCHES

Valve Size	Part Number		A	B	C	D	E	F	G	Weight Lbs.	Cv	Torque In.-Lb.
	Threaded	Socket-Weld										
1/4	30300A	30301A	0.46	2.26	2.00	4.00	0.20	0.56	0.40	0.78	8	40
3/8	30300B	30301B	0.51	2.26	2.00	4.00	0.20	0.70	0.40	0.74	10	40
1/2	30300C	30301C	0.60	2.62	2.40	5.20	0.26	0.87	0.40	1.25	14	60
3/4	30300D	30301D	0.80	3.05	2.56	5.20	0.26	1.09	0.52	1.67	24	80
1	30300E	30301E	1.00	3.44	2.84	6.60	0.32	1.36	0.52	2.31	45	120
1-1/4	30300F	30301F	1.28	4.11	3.12	6.60	0.32	1.71	0.52	3.88	82	240
1-1/2	30300G	30301G	1.52	4.76	3.44	7.60	0.39	1.95	0.52	5.37	125	420
2	30300H	30301H	2.00	5.26	3.80	7.60	0.39	2.44	0.64	8.16	200	560
2-1/2	30300J	30301J	2.60	6.56	5.20	10.00	0.48	2.94	0.64	15.83	290	1100
3	30300K	30301K	3.20	7.28	5.92	10.00	0.48	3.60	0.64	23.42	470	1600
4	30300L	30301L	3.99	9.28	7.28	11.02	0.59	4.61	0.80	46.29	800	3200

PRESSURE/TEMPERATURE CURVE

