

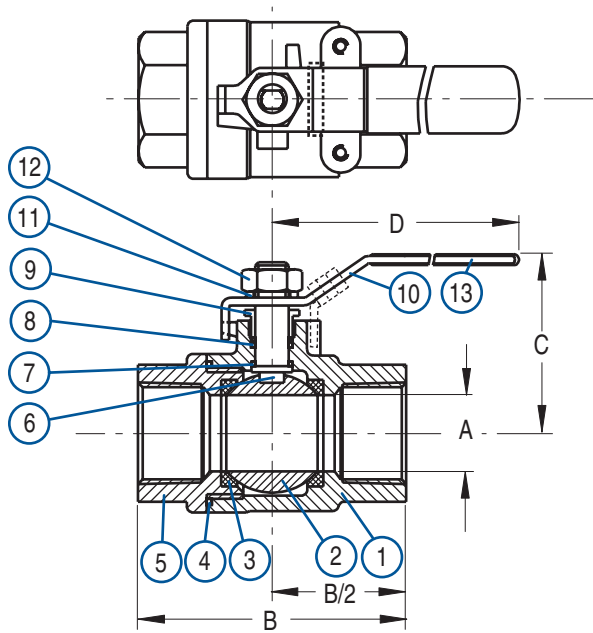
DURAVALVE MODEL D220 BALL VALVE

2-PIECE STANDARD PORT 316 STAINLESS STEEL 2000 PSI



FEATURES AND SPECIFICATIONS

- 1/4" to 2" Sizes
- Adjustable Vee Style Stem Packing
- NTP Threaded Ends to ANSI B2.1
- Internal Entry Blow-Out Proof Stem
- Latch-Lock Handle
- Actuator Mounting Pad
- Pressure Rating: 1/4" – 1" 2000 PSI
1-1/4" – 2" 1000 PSI
- Temperature Range: -20° F – 450° F
- Meets WW-V-35 Design Specifications



MATERIALS OF CONSTRUCTION

Item	Description	Material	Qty.
1.	Body	CF8M	1
2.	Ball	CF8M	1
3.	Seat	RTFE	2
4.	End Gasket	PTFE	1
5.	End Cap	CF8M	1
6.	Stem	316 SS	1
7.	Thrust Washer	RTFE	1
8.	Stem Packing	PTFE	1
9.	Gland Nut	304 SS	1
10.	Handle	304 SS	1
11.	Washer	304 SS	1
12.	Nut	304 SS	1
13.	Handle Sleeve	Vinyl	1

DIMENSIONS IN INCHES

Valve Size	Part Number	A	B	C	D	Weight Lbs.	Cv	Torque In.- Lb.
1/4	20300A	.38	2.00	1.97	3.78	.51	6	30
3/8	20300B	.46	2.00	1.97	3.78	.51	7	30
1/2	20300C	.50	2.40	1.97	3.78	.62	10	40
3/4	20300D	.59	2.67	2.09	3.78	.99	16	60
1	20300E	.79	3.26	2.52	4.92	1.47	24	115
1-1/4	20300F	1.00	3.54	2.60	4.92	1.98	47	160
1-1/2	20300G	1.26	4.09	3.11	6.70	3.15	90	220
2	20300H	1.50	4.60	3.27	6.70	5.17	125	300

PRESSURE/TEMPERATURE CURVE

