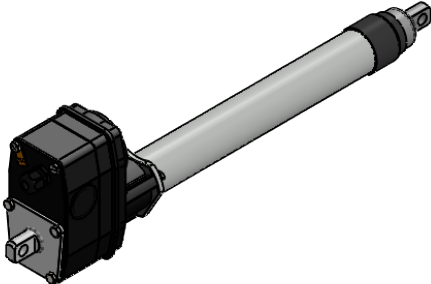
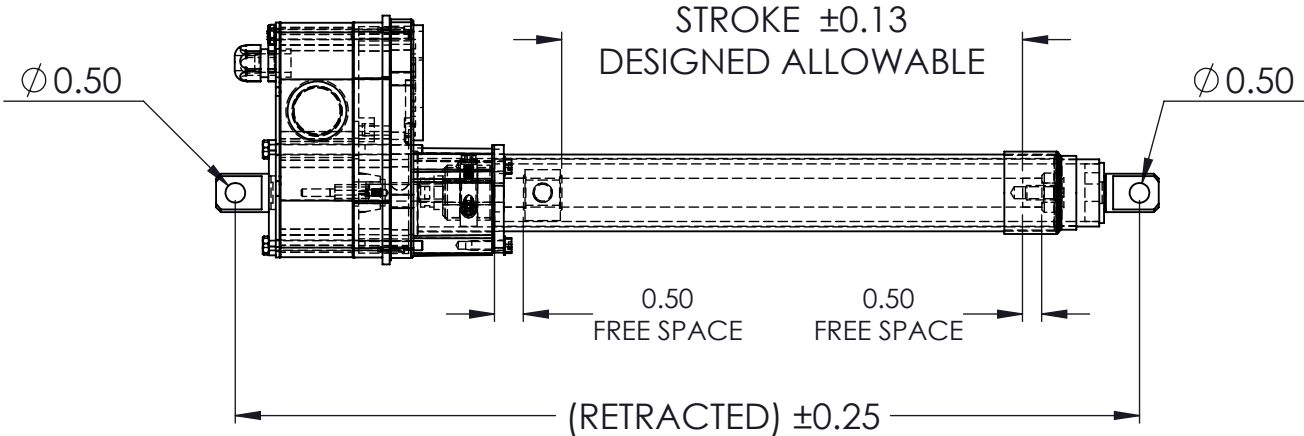
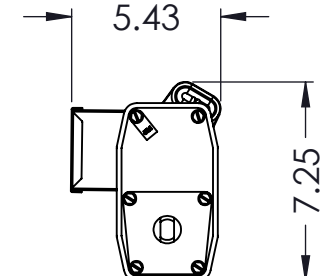
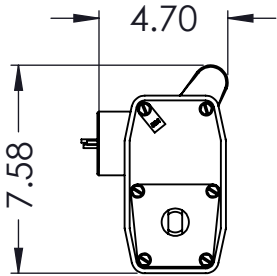
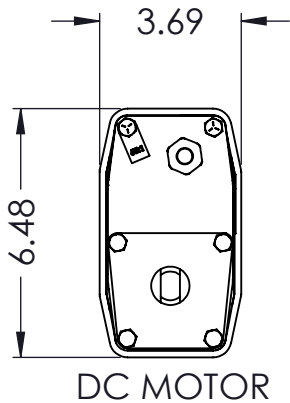


COMPAC SERIES ACTUATORS (C1L)



OPT () MOTOR	GEAR RATIO 17:1	GEAR RATIO 25:1	GEAR RATIO 55:1	DESIGN STROKE	RETRACTED HOLE TO HOLE
12 VDC	27744	27745	27746	4	15.55
24 VDC	27747	27748	27749	6	17.55
110 VAC	27750	27751	27752	8	19.55
220 VAC	27753	27754	27755	12	23.55
	27756	27757	27758	18	29.55
	27759	27760	27761	24	35.55
				36	47.55
				48	59.55

* ORDER FORMAT (partnumber)-MOTOR



Compac: C1L Series

- Rating of 1000 Lbs. (Push) - (Pull)
- Gear ratio Options 17:1 , 25:1 & 55:1
- Dynamic loading limited to capacity of gear ratios.
- Limits are wired in series or optional (parallel)
- Motor options: 12, 24 VDC or 110, 220 VAC
- Limits are field adjustable
- Supplied with 5 ft of hook-up cable

BURR Engineering
Battle Creek Mi, USA SW2015