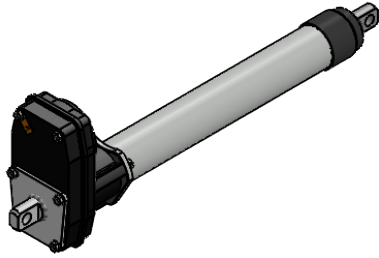
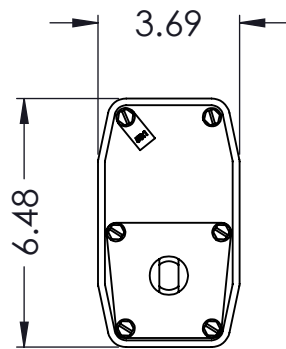


# COMPAC SERIES ACTUATORS (C1)

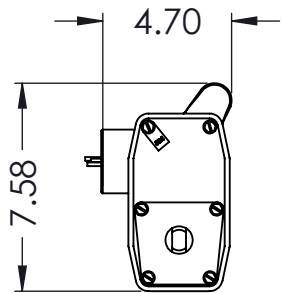
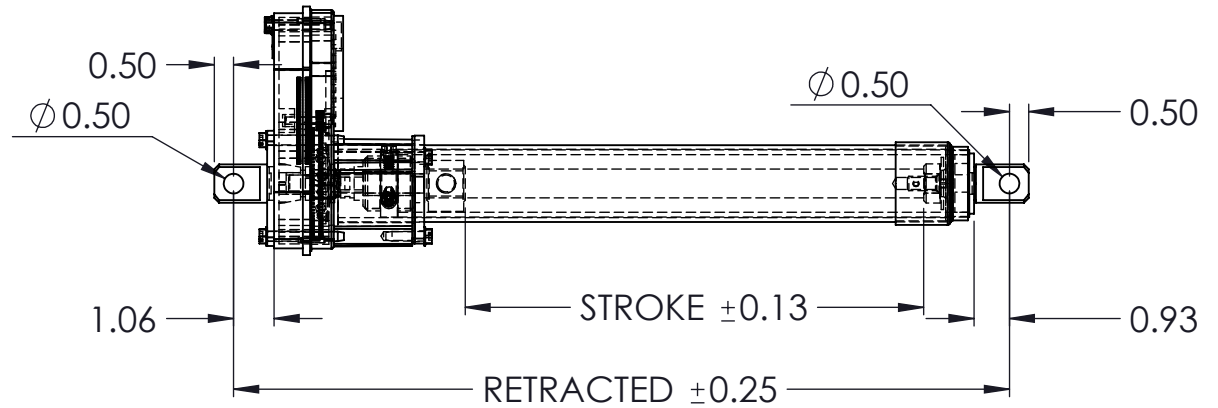


OPT ( ) MOTOR	GEAR RATIO 17:1	GEAR RATIO 25:1	GEAR RATIO 55:1	STROKE	RETRACTED HOLE TO HOLE
12 VDC	27782	27783	27784	4	12.26
24 VDC	27785	27786	27787	6	14.26
110 VAC	27788	27789	27790	8	16.26
220 VAC	27791	27792	27793	12	20.26
	27794	27795	27796	18	26.26
	27797	27798	27799	24	32.26
				36	44.26
				48	56.26

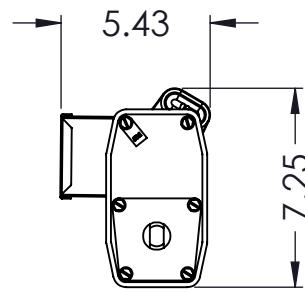
\* ORDER FORMAT (partnumber) -MOTOR



DC MOTOR



110 VAC MOTOR



220 VAC MOTOR

## Compac: C1 Series

- Rating of 1000 Lbs. (Push) - (Pull)
- Gear ratio Options 17:1 , 25:1 & 55:1
- Dynamic loading limited to capacity of gear ratios.
- Motor options: 12, 24 VDC or 110, 220 VAC