

8

7

6

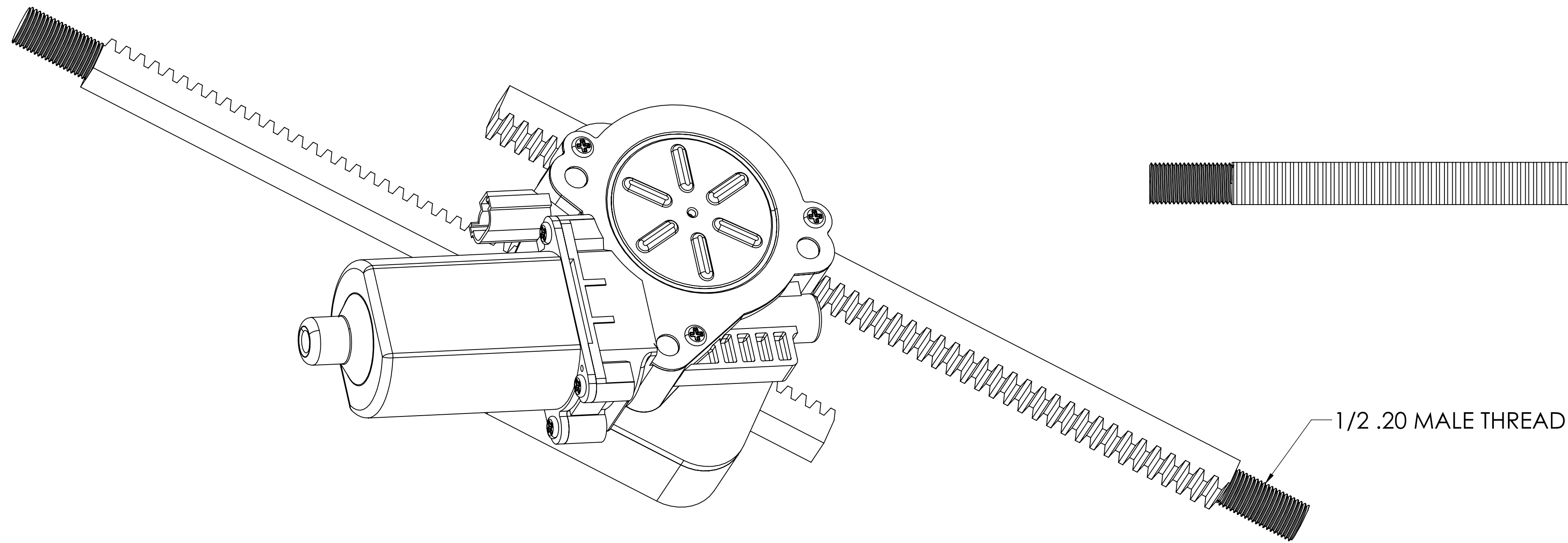
5

4

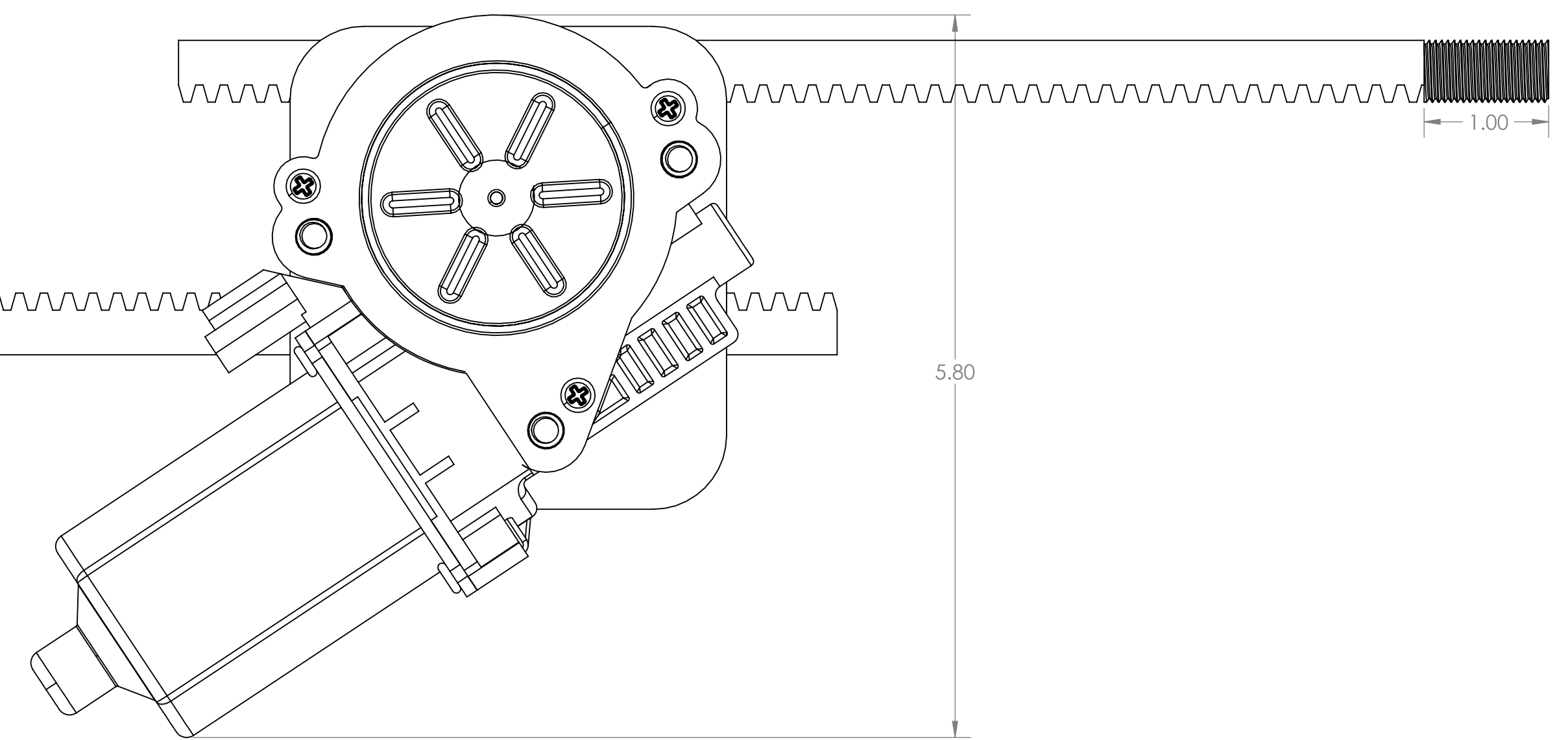
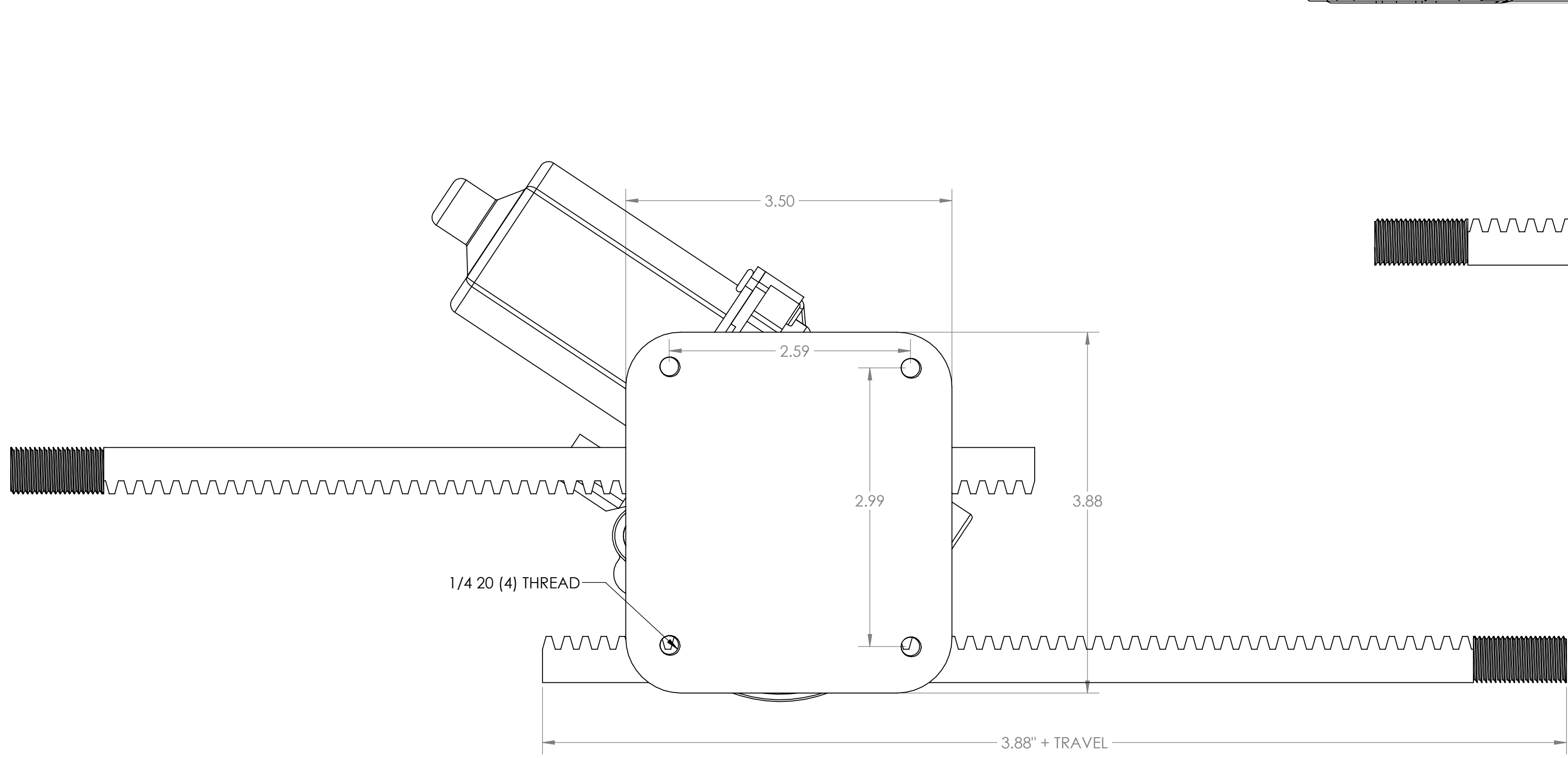
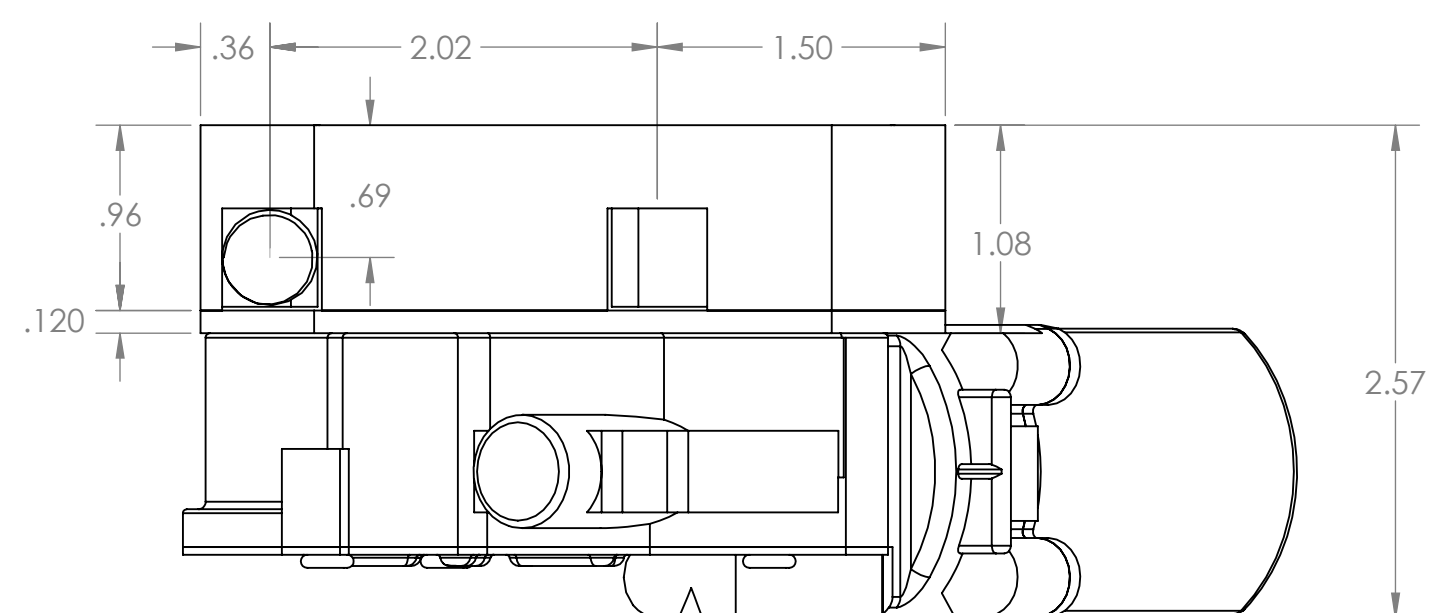
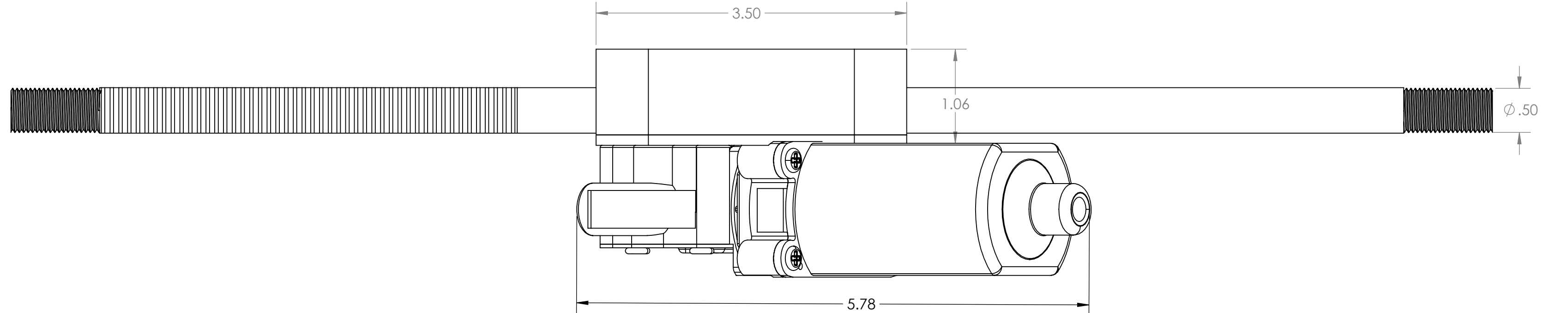
3

2

1



**Perspective View
SCALE 1:1**



PROPRIETARY AND CONFIDENTIAL
THE INFORMATION CONTAINED IN THIS DRAWING IS THE SOLE PROPERTY OF KNUTSON MANUFACTURING INC. ANY REPRODUCTION IN PART OR AS A WHOLE WITHOUT THE WRITTEN PERMISSION OF KNUTSON MANUFACTURING INC. IS PROHIBITED.

UNLESS OTHERWISE SPECIFIED: DIMENSIONS ARE IN INCHES		NAME	DATE	Knudson Manufacturing Inc.
TOLERANCES: FRACTIONAL ± ANGULAR: MAACH ± BEND ± TWO PLACE DECIMAL ± THREE PLACE DECIMAL ±		PJJ	5/3/23	
INTERPRET GEOMETRIC TOLERANCING PER: MATERIAL FINISH		CHECKED		TITLE: A728 ENGINEERING DRAWING
DO NOT SCALE DRAWING		ENG APPR.		SIZE DWG. NO. REV D A
		Q.A.		SCALE: 1:2
		COMMENTS:		

8

7

6

5

4

3

2

1