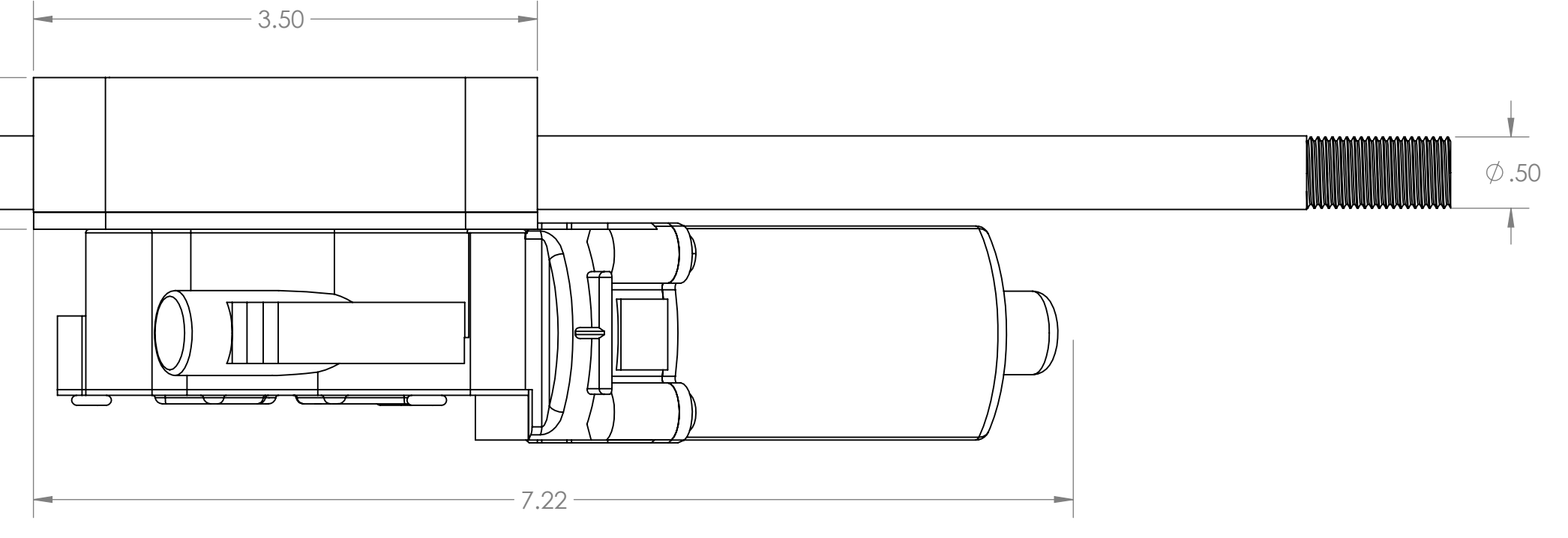
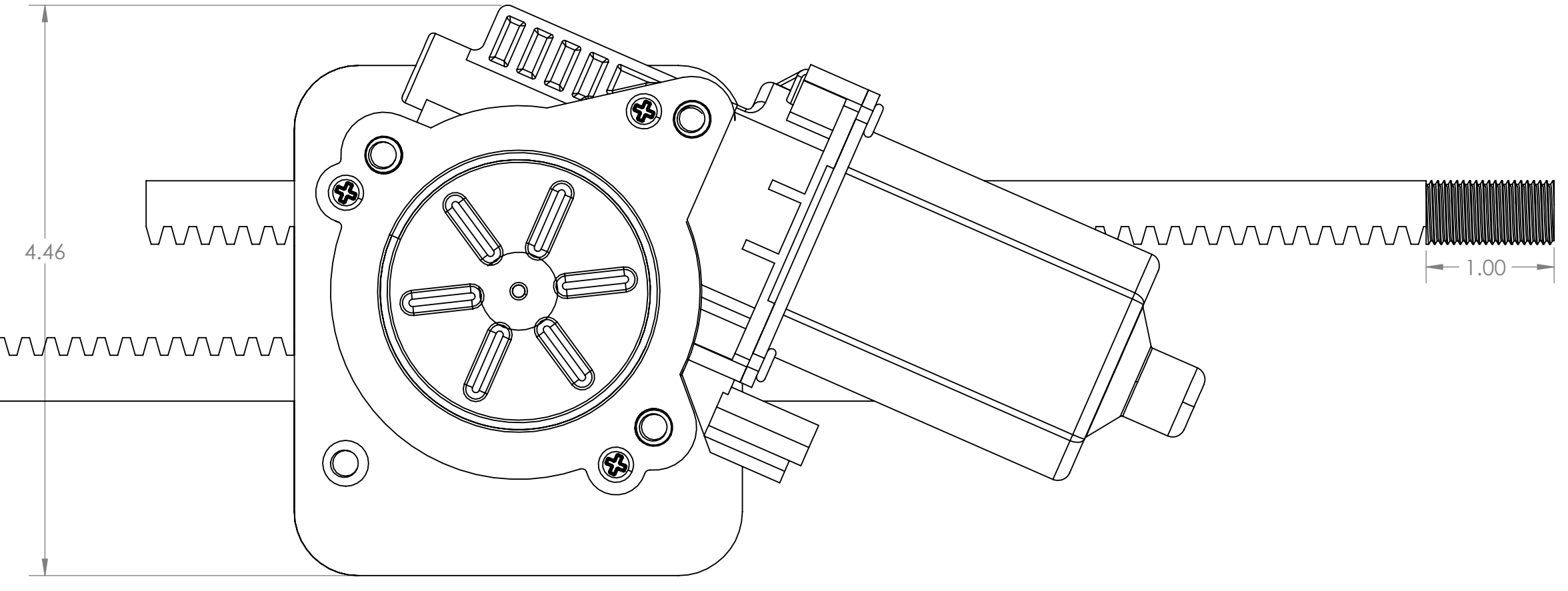
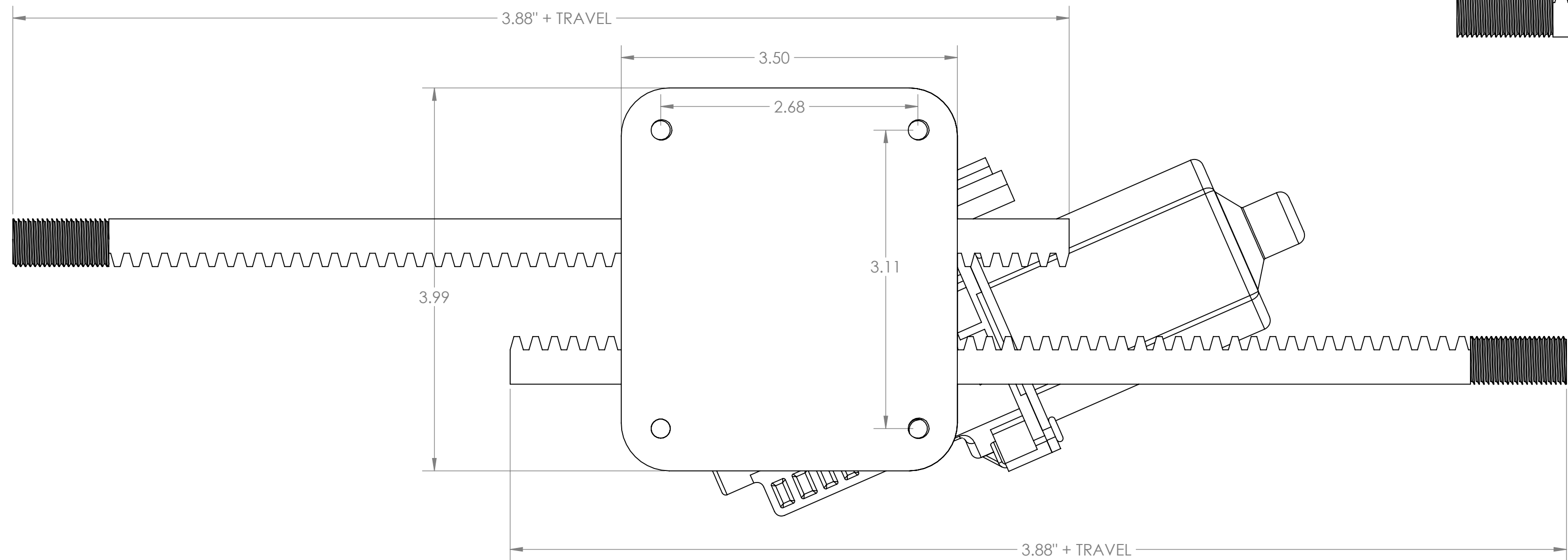
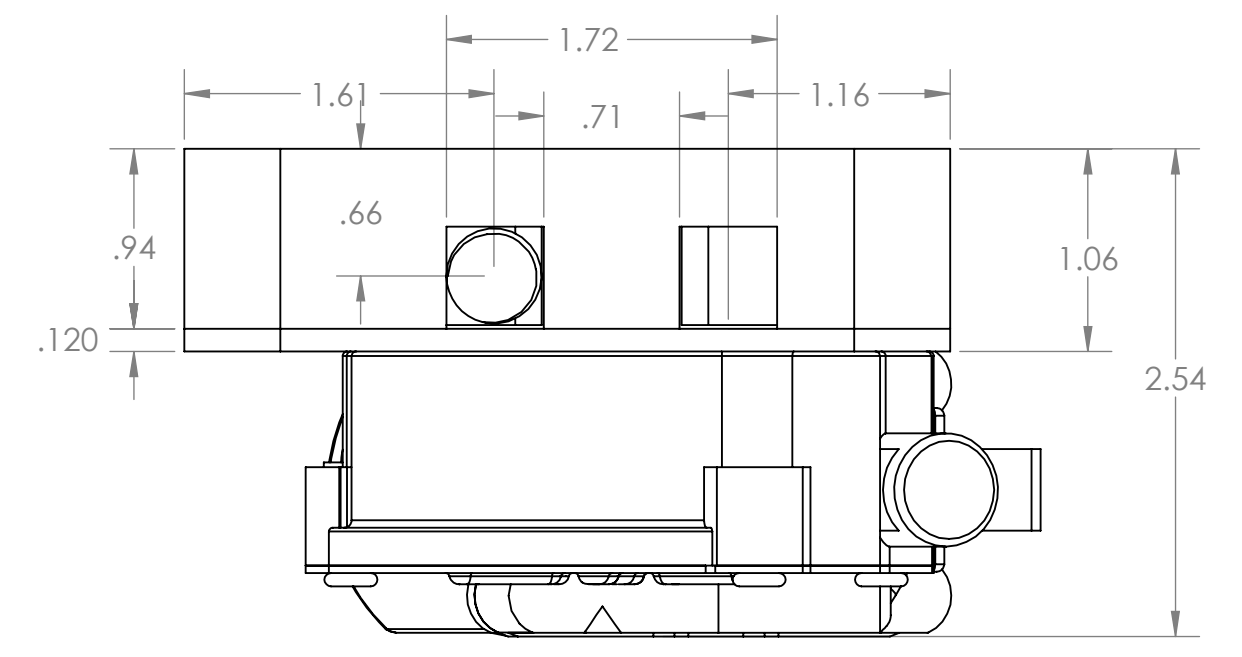


Perspective View
SCALE 1:1

1/2 .20 MALE THREAD



PROPRIETARY AND CONFIDENTIAL
THE INFORMATION CONTAINED IN THIS DRAWING IS THE SOLE PROPERTY OF <INSERT COMPANY NAME HERE>. ANY REPRODUCTION IN PART OR AS A WHOLE WITHOUT THE WRITTEN PERMISSION OF <INSERT COMPANY NAME HERE> IS PROHIBITED.

UNLESS OTHERWISE SPECIFIED:		NAME	DATE	Knudtson Manufacturing Inc.
DIMENSIONS ARE IN INCHES		PJJ	5/2/23	
TOLERANCES:		DRAWN		TITLE: A724 ENGINEERING DRAWING
FRACTIONAL ±		CHECKED		
ANGULAR: MACH ± BEND ±		ENG APPR.		
TWO PLACE DECIMAL ±		MFG APPR.		SIZE DWG. NO. REV
THREE PLACE DECIMAL ±		Q.A.		
INTERPRET GEOMETRIC TOLERANCING PER:		COMMENTS:		SCALE: 1:2
MATERIAL:				
FINISH:				
DO NOT SCALE DRAWING				