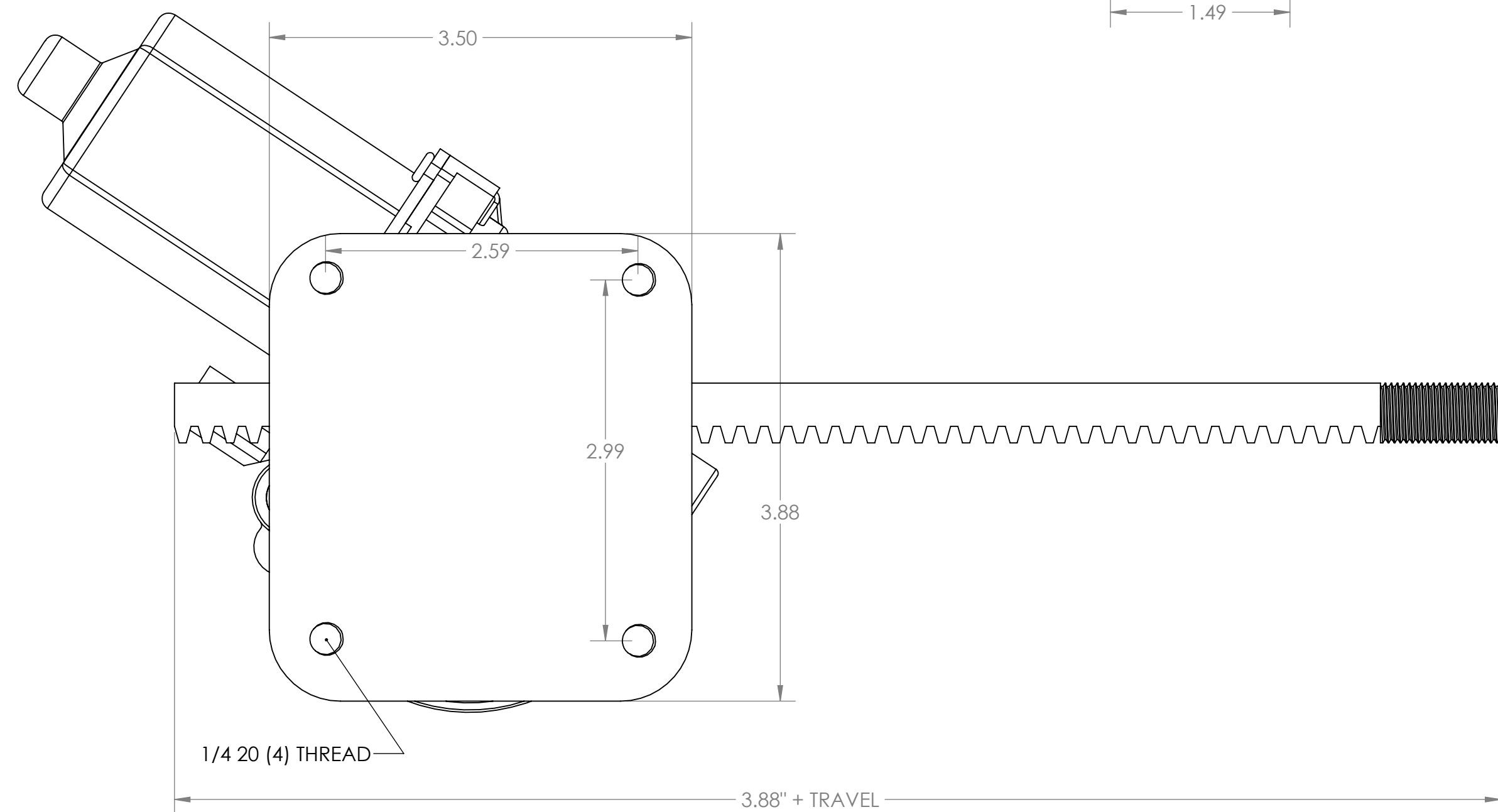
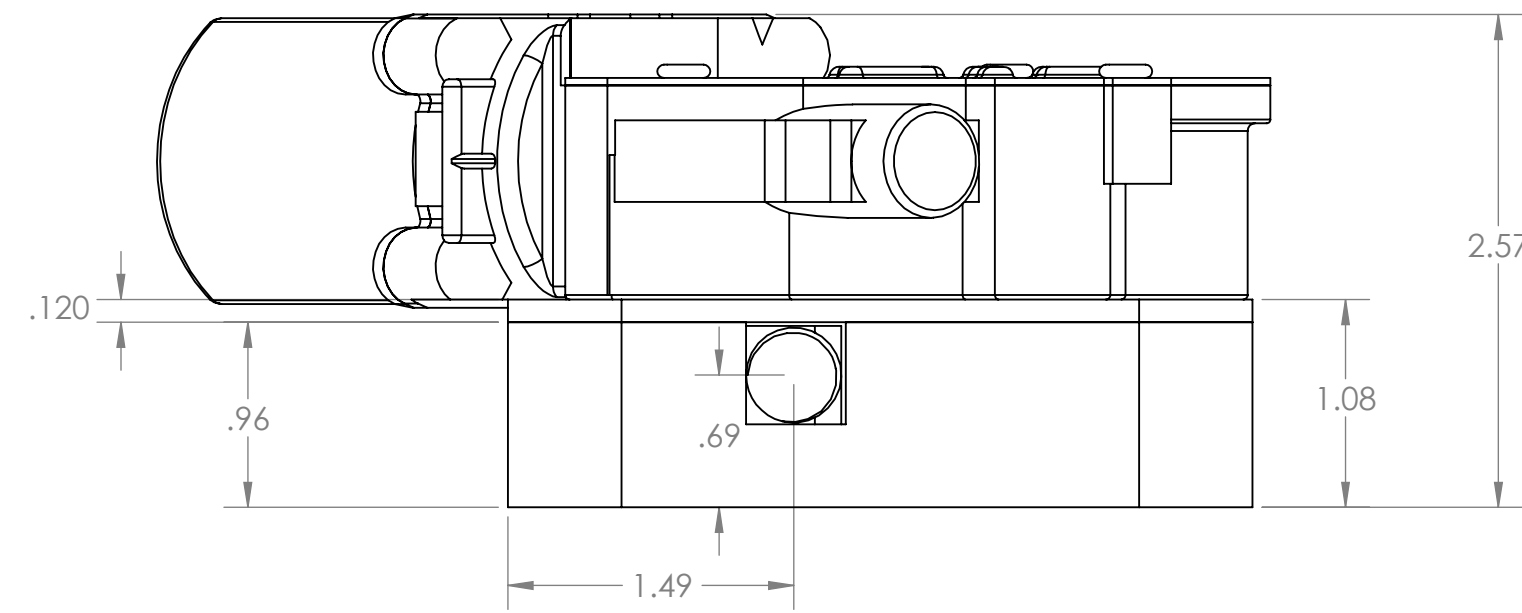
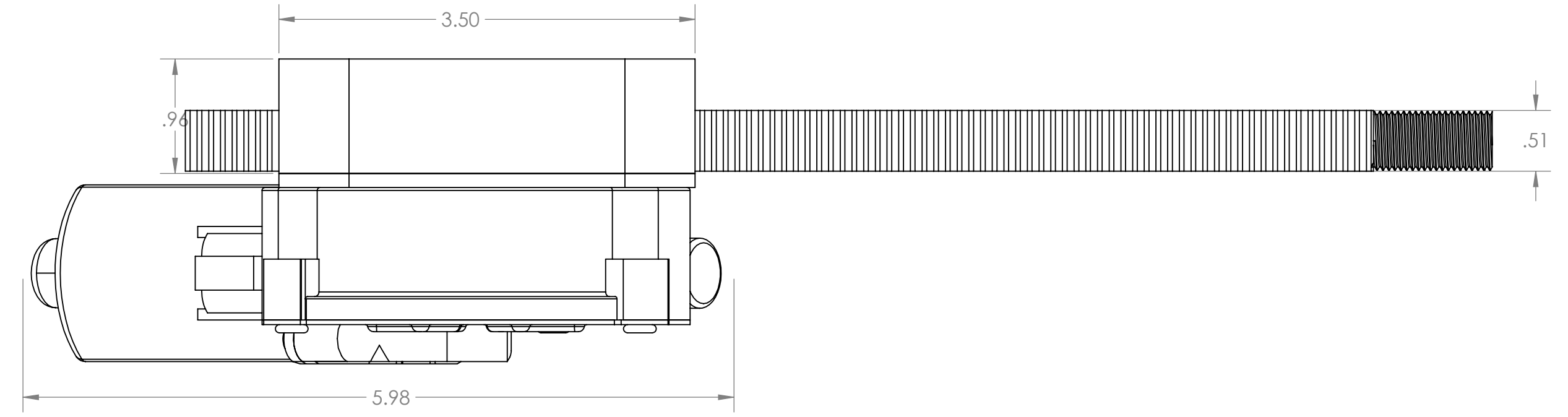
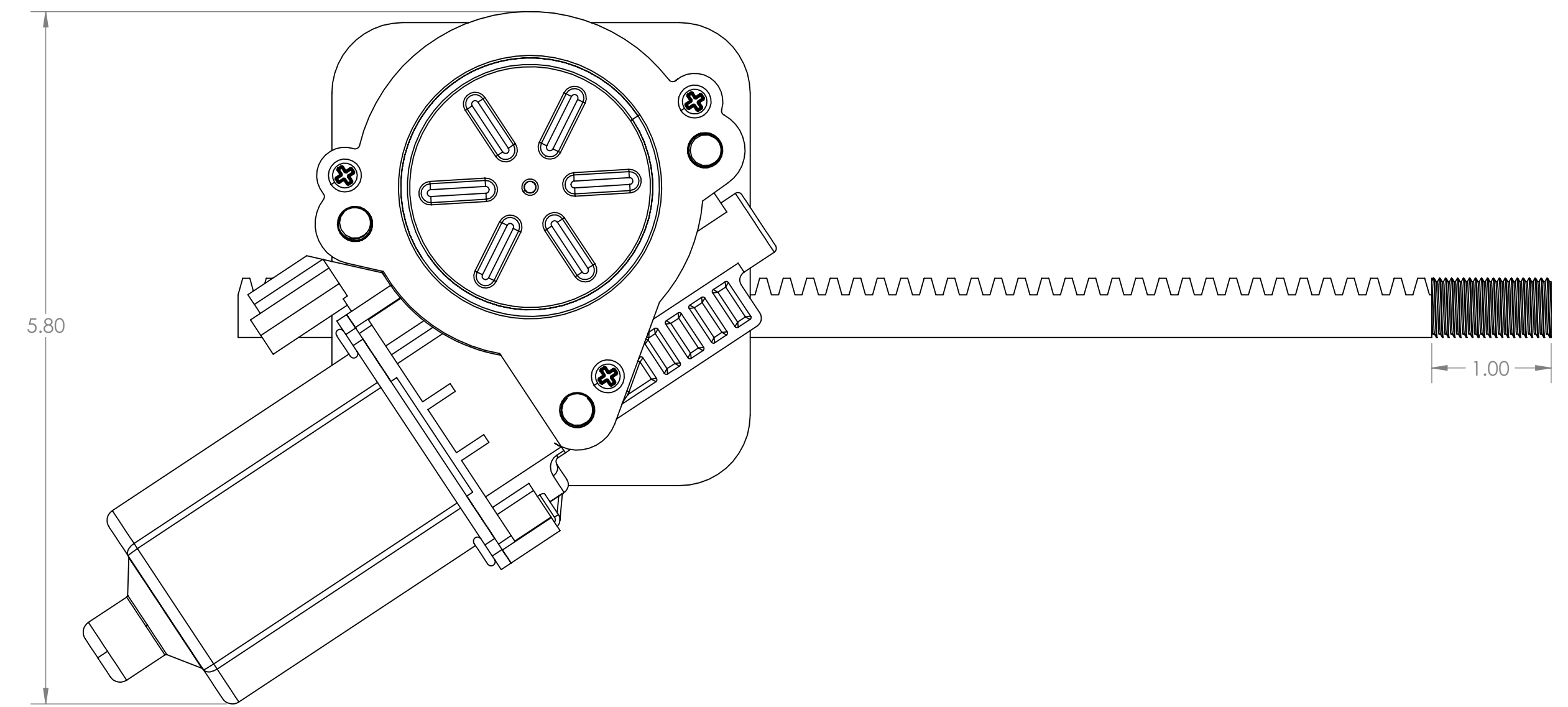


Perspective View  
SCALE 1:1



3.88" + TRAVEL



PROPRIETARY AND CONFIDENTIAL  
THE INFORMATION CONTAINED IN THIS DRAWING IS THE SOLE PROPERTY OF KNUDTSON MANUFACTURING INC. ANY REPRODUCTION IN PART OR AS A WHOLE WITHOUT THE WRITTEN PERMISSION OF KNUDTSON MANUFACTURING INC. IS PROHIBITED.

UNLESS OTHERWISE SPECIFIED:	NAME	DATE
DIMENSIONS ARE IN INCHES	PJJ	5/2/23
FRACTIONAL ±		
ANGULAR: MACH ± BEND ±		
TWO PLACE DECIMAL ±		
THREE PLACE DECIMAL ±		
INTERPRET GEOMETRIC TOLERANCING PER:		
MATERIAL		
FINISH		
DO NOT SCALE DRAWING		
DRAWN		
CHECKED		
ENG APPR.		
MFG APPR.		
Q.A.		
COMMENTS:		

Knudtson Manufacturing Inc  
TITLE:  
**A708 ENGINEERING DRAWING**  
SIZE DWG. NO. REV  
**D** **A**  
SCALE: 1:1