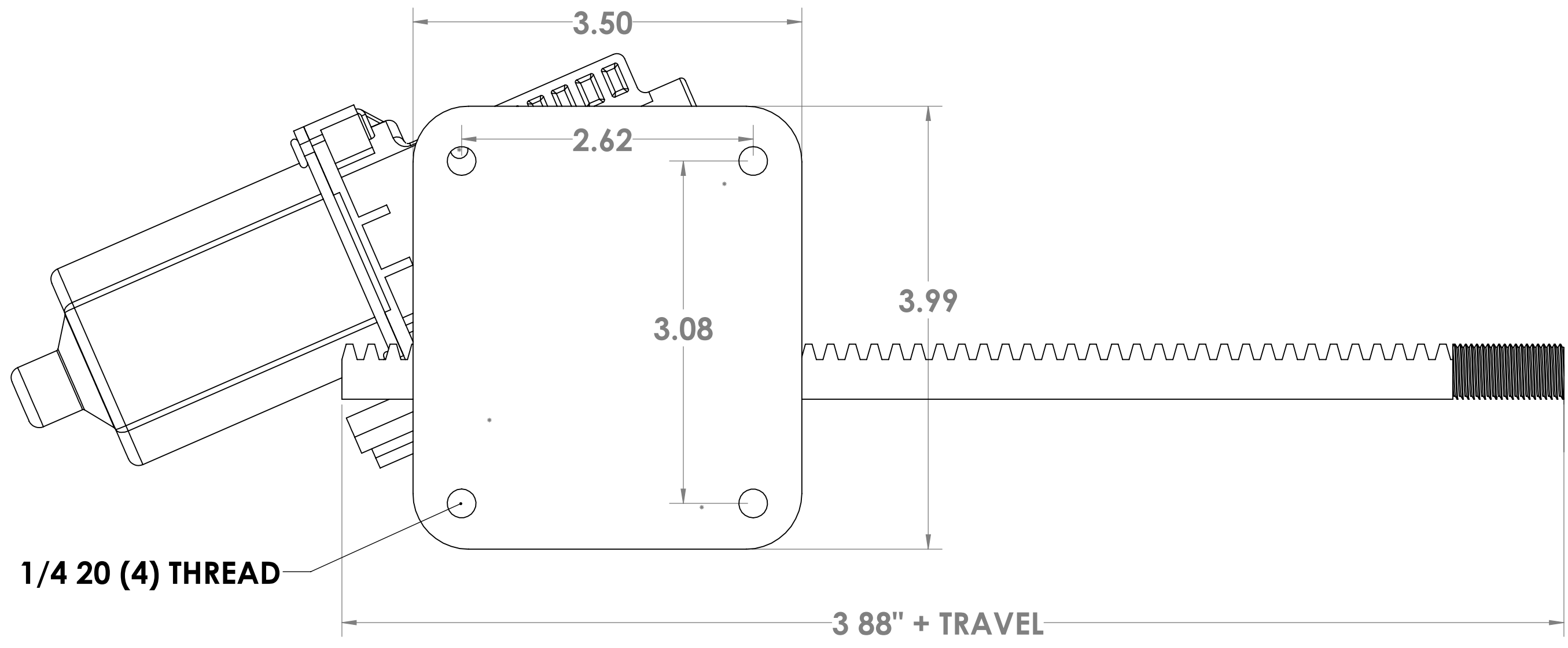
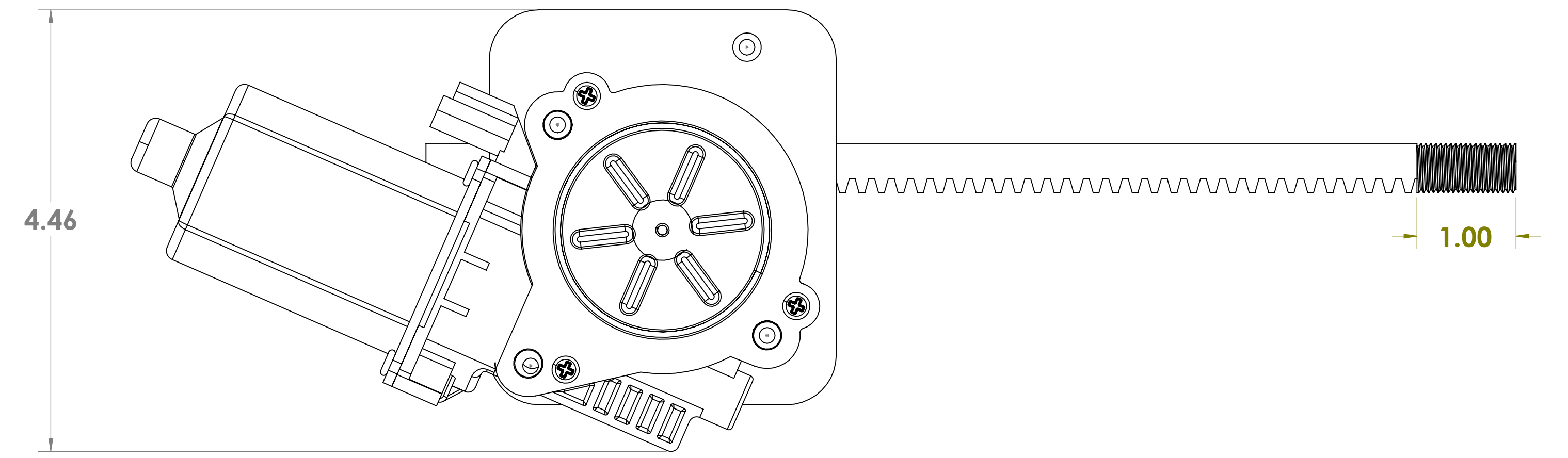
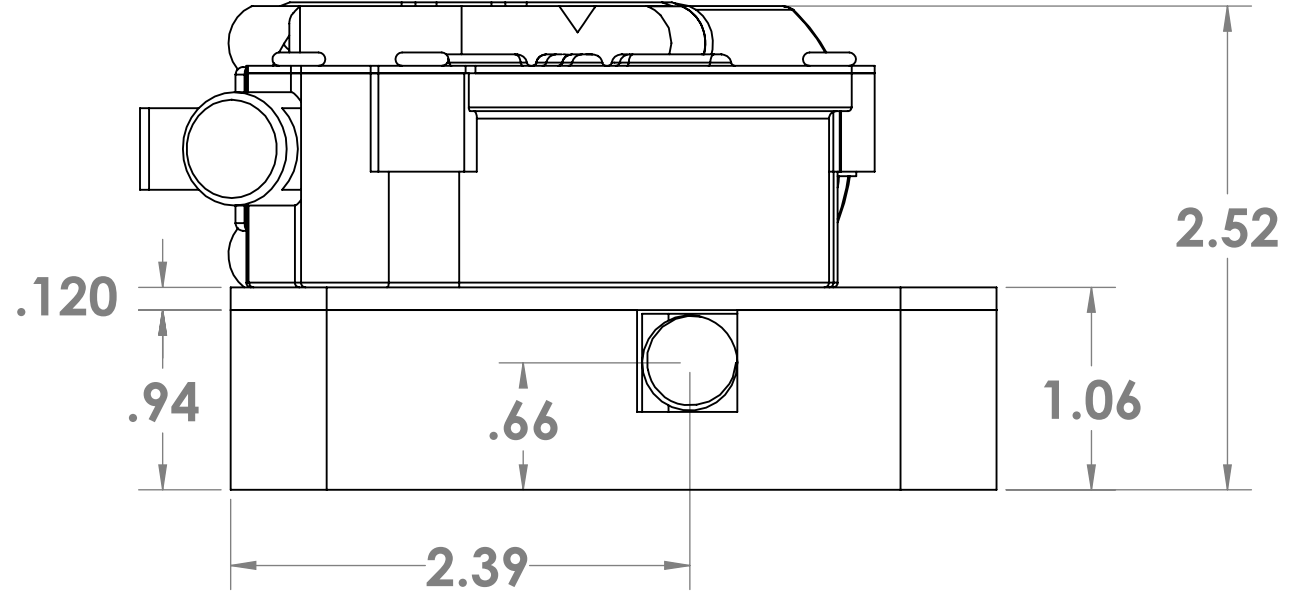
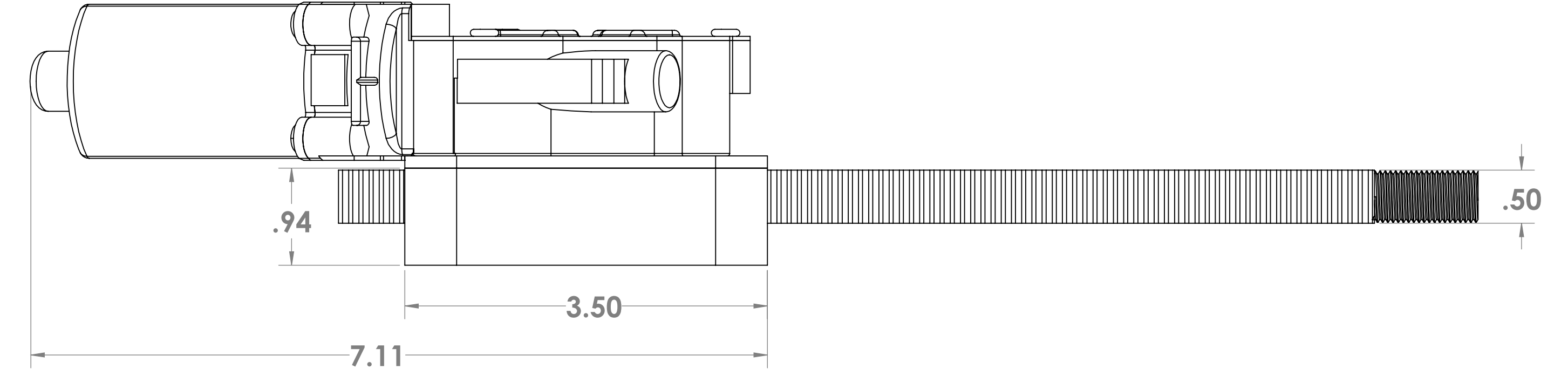


Perspective View
SCALE 1:1



<small> PROPRIETARY AND CONFIDENTIAL THE INFORMATION CONTAINED IN THIS DRAWING IS THE SOLE PROPERTY OF KNUTDSON MANUFACTURING INC. ANY REPRODUCTION IN PART OR AS A WHOLE WITHOUT THE WRITTEN PERMISSION OF KNUTDSON MANUFACTURING INC. IS PROHIBITED. </small>	UNLESS OTHERWISE SPECIFIED:	NAME	DATE	Knudson Manufacturing Inc TITLE: A704 ENGINEERING DRAWING SIZE DWG. NO. REV D A SCALE: 1:1 SHEET 1 OF 1	
	DIMENSIONS ARE IN INCHES	DRAWN	PJJ		4/20/23
	TOLERANCES:	CHECKED			
	FRACTIONAL ±	ENG APPR.			
	ANGULAR: MAACH ± BEND ±	MFG APPR.			
TWO PLACE DECIMAL ±	Q.A.				
THREE PLACE DECIMAL ±	COMMENTS:				
INTERPRET GEOMETRIC TOLERANCING PER:					
MATERIAL:					
FINISH:					
DO NOT SCALE DRAWING					