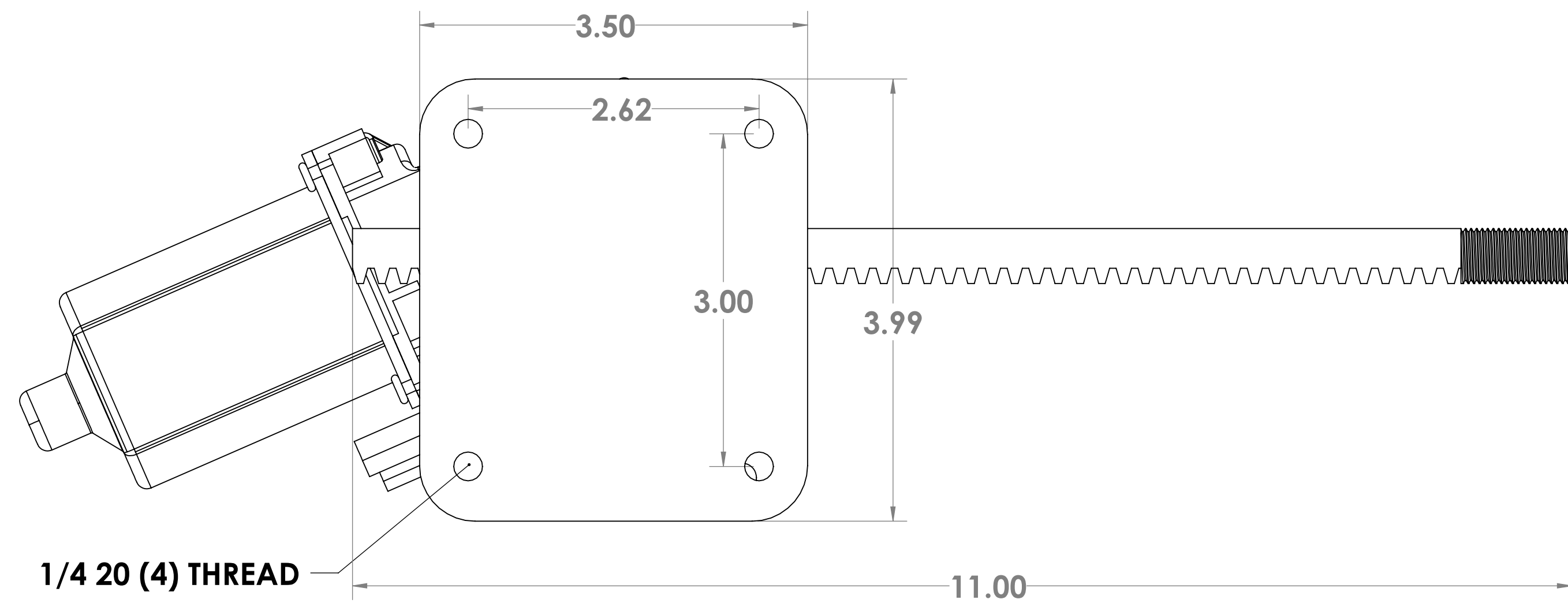
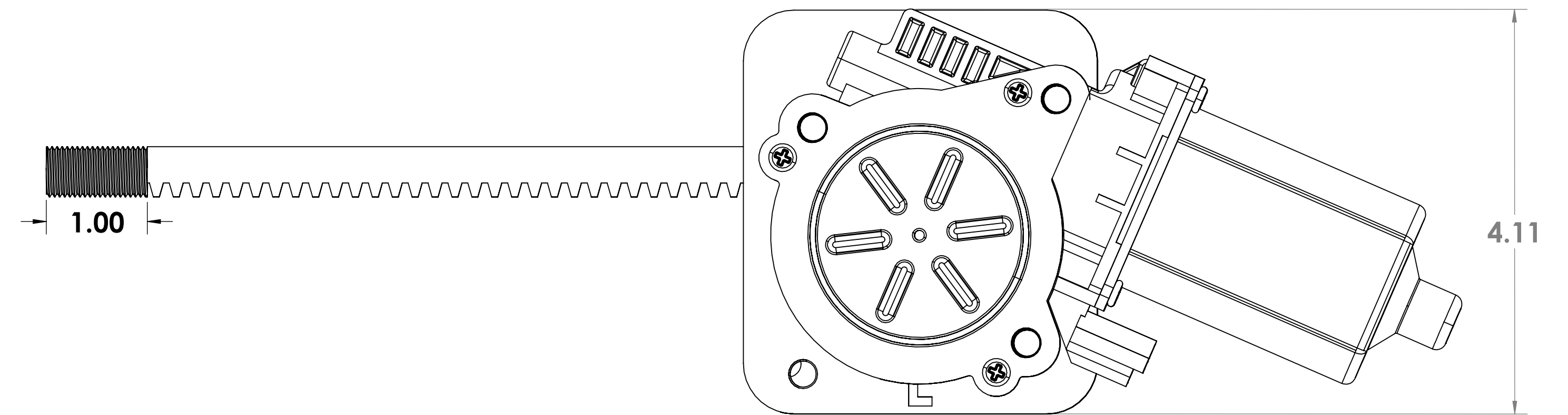
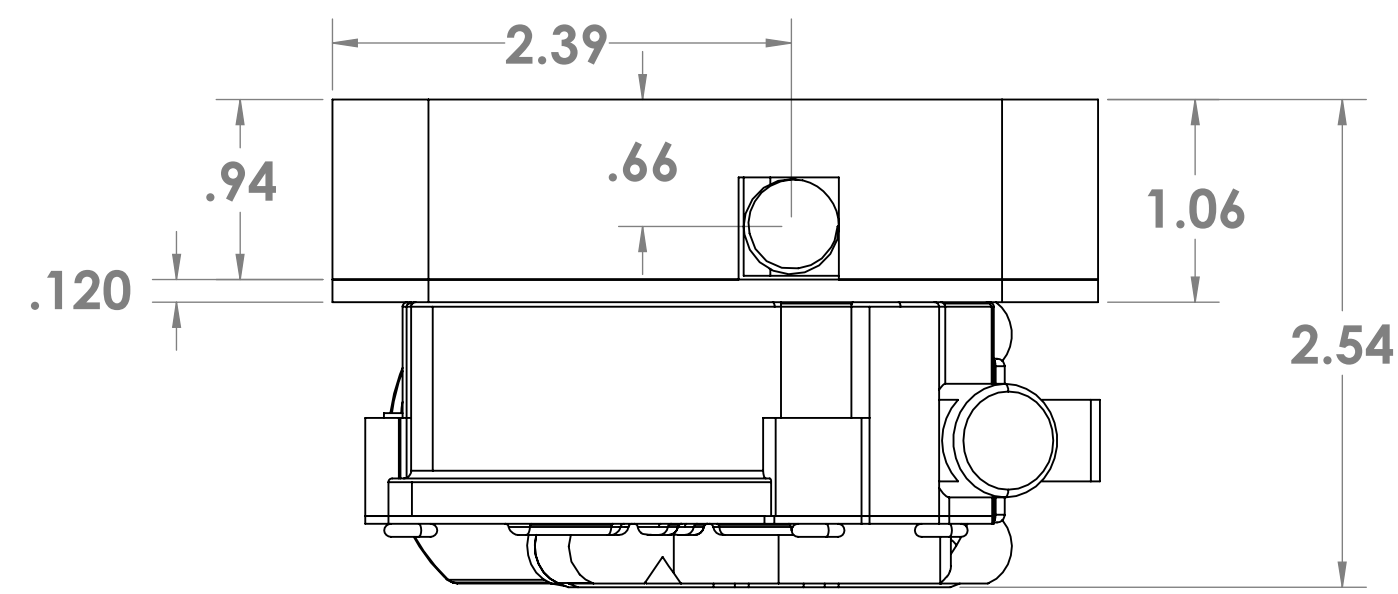
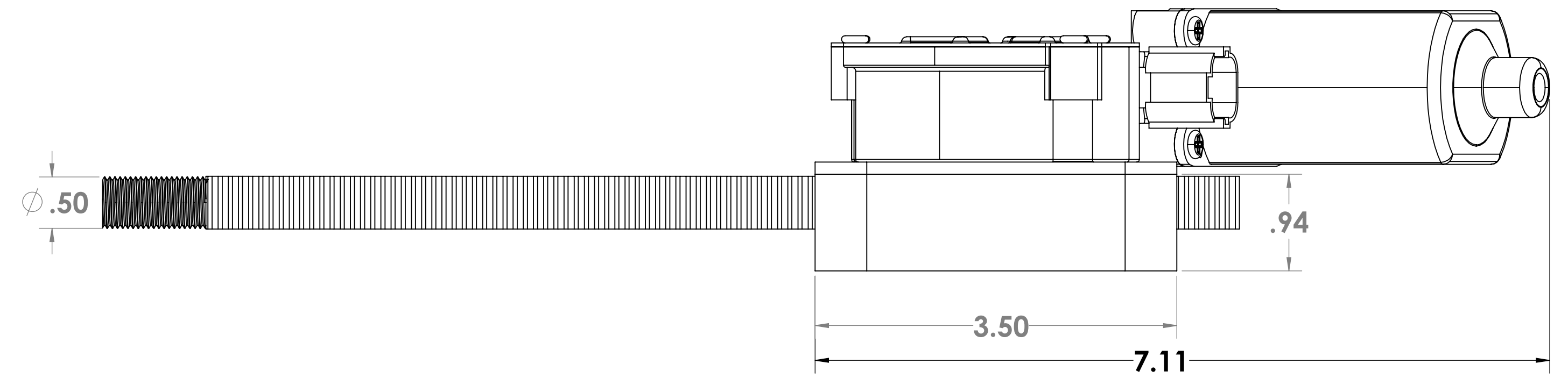


Perspective View  
SCALE 1:1



1/4 20 (4) THREAD

UNLESS OTHERWISE SPECIFIED:		NAME	DATE	Knudtson Manufacturing Inc.
DIMENSIONS ARE IN INCHES		PJJ	4/20/23	
TOLERANCES:		TITLE:		
FRACTIONAL ±		A704 LH Engineering		
ANGULAR ± MACH ±		Drawing		
TWO PLACE DECIMAL ±		SIZE DWG. NO.		
THREE PLACE DECIMAL ±		D 1		
INTERPRET GEOMETRIC TOLERANCING PER:		REV		
MATERIAL:		A		
FINISH:		SCALE 1:1		
DO NOT SCALE DRAWING				